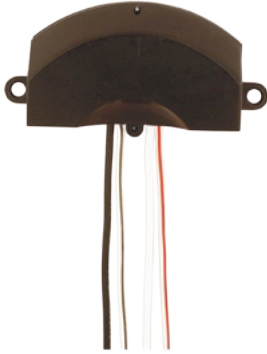


FL101

Fan / Light Controller



Functional Devices, Inc. A600C 2005

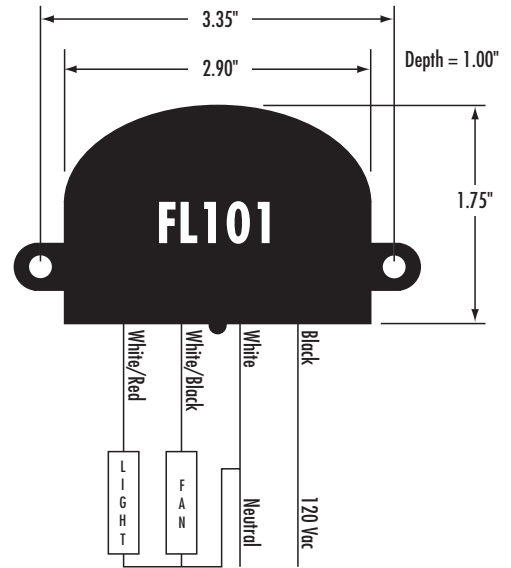
Input Power: 120 Vac, 60Hz, 3W
Contact Ratings: 360W Light; 2 FLA, 12 LRA, 120 Vac Fan
Operating Temperature: 32 to 140 ° F
Storage Temperature: -40 to 185 ° F
Humidity Range: 5 to 95% (noncondensing)
Dimensions: 3.75" x 1.75" x 1.00"
Weight: .20 Lbs.
Wire Length: 6.50"
Approvals: UL Listed & CSA Approved
 CE Approved

Most ceiling fans are installed at locations where only lights existed before. Consequently, there is only one wall switch and one 120 VAC line available to power your fan and light. To turn your fan and light on independently you have to use those cumbersome pull chains or add another wall switch for the fan and run a new wire between that switch and the fan. The FAN & LIGHT CONTROLLER gives you independent control of the fan and light by using your existing light switch in a simple "off" and "on" 3-stage sequence.

The FAN & LIGHT CONTROLLER is easily installed under the decorative ceiling canopy of the fan. It comes in a contoured plastic housing with 4 wires. It accepts the AC power previously provided to the light and separates that power to feed it independently to the light and to the fan. The FAN & LIGHT CONTROLLER also works with 3-way switches.

When the wall switch is first turned on the light alone is powered. If the wall switch is turned off and then immediately on (subsequently referred to as OFF/ON), both the light and the fan will be powered. Another OFF/ON sequence will cause only the fan to be powered. Further OFF/ONs will sequence between these three conditions. Any time the wall switch is off for more than 10 seconds, the starting condition will be lights only.

The speed of the fan is controlled by the pull chains attached to the fan. After the FAN & LIGHT CONTROLLER is installed you should sequence the wall switch to cause the fan to be on. Then choose the speed of the fan by pulling the fan speed switch an appropriate number of times. After that you will not have to touch the fan speed pull chain. The light pull chain should be chosen to be on in the same manner. After that you will not have to touch the light pull chain.



FEATURES

- * Enables you to control fan & light independently from one wall switch
- * Eliminates the use of pull chains
- * Installs easily in the canopy of any ceiling fan
- * Never makes the fan hum
- * Requires no third wire to be run from the switch to the fan / light
- * Can't be lost, like some remote control units
- * Comes with a one year limited warranty

Notes: