

RIB01BDC

DRY CONTACT RELAY

Enclosed Relay 20 Amp SPDT, Class 2 Dry Contact Input, 120 Vac Power



SPECIFICATIONS

- # Relays & Contact Type: One (1) SPDT Continuous Duty Coil
- Expected Relay Life: 10 million cycles minimum mechanical
- Operating Temperature: -30 to 140° F
- Relay Status: LED On = Activated
- Dimensions: 2.30" x 3.20" x 1.80" with .50" NPT Nipple
- Wires: 16", 600V Rated
- Approvals: UL Listed, UL916, C-UL
California State Fire Marshal, CE
- Housing Rating: Plenum, NEMA 1
- Gold Flash: No
- Override Switch: No

Contact Ratings:

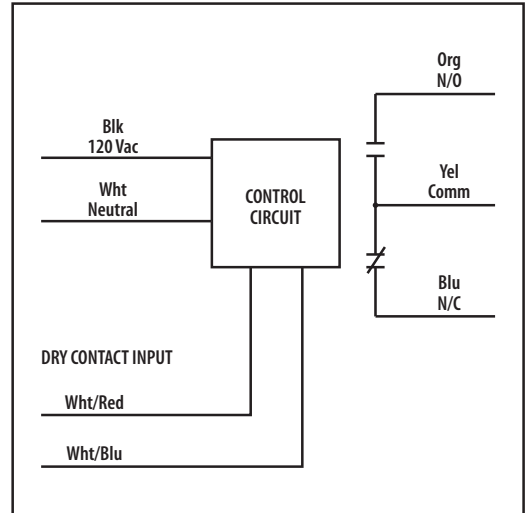
- 20 Amp Resistive @ 277 Vac
- 1110 VA Pilot Duty @ 277 Vac
- 770 VA Pilot Duty @ 120 Vac
- 20 Amp Ballast N/O @ 277 Vac
- 10 Amp Ballast N/C @ 277 Vac
- 10 Amp Tungsten N/O @ 120 Vac
- 240 Watt Tungsten N/C @ 120 Vac
- 2 HP @ 277 Vac
- 1 HP @ 120 Vac

Power Input:

- 42 mA @ 120 Vac

Notes:

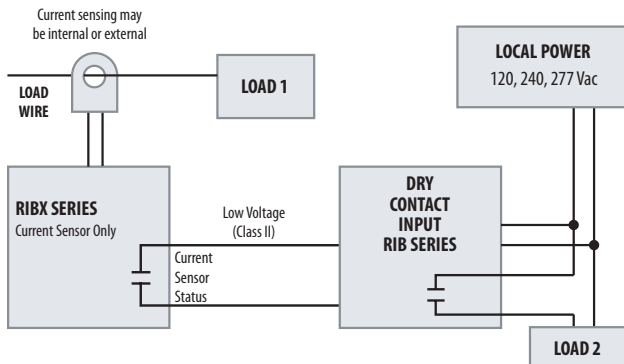
- » **Dry Contact Input Operation:**
Close White/Red wire to White/Blue wire to activate relay. If more than one DRY-CONTACT RIB shares a single dry-contact input, White/Blue must be common.



NOTES

INTERLOCKING LOADS (NO TRANSFORMER)

Self-powered Current Sensors of the RIBX Series and relays of the Dry Contact Input RIB Series may be applied to interlock Load 2 to Load 1.



DRY CONTACT INPUT

- RELAYS**
- RIB21CDC
 - RIB01BDC
 - RIB01SBDC
 - RIB02BDC
 - RIB02SBDC
 - RIBM01ZNDC
 - RIBM02ZNDC
 - RIBM013PNDC
 - RIBD01BDC (Time Delay)
 - RIBD02BDC (Time Delay)

CURRENT SENSORS

- RIBXKF RIBXRF
- RIBXKTF RIBXRA
- RIBXKA RIBXJF
- RIBXKTA RIBXJA
- RIBXGA RIBMXF
- RIBXGF RIBMXA
- RIBXGTA RIBMXRF
- RIBXGTF RIBMXRA
- RIBXGFL RIBMXJF
- RIBXGTFL RIBMXJA
- RIBXF
- RIBXA