

## RIB01P

### 20 AMP POWER CONTROL RELAY

Enclosed Relay 20 Amp DPDT with 120 Vac Coil



#### SPECIFICATIONS

**# Relays & Contact Type:** One (1) DPDT Continuous Duty Coil  
**Expected Relay Life:** 10 million cycles minimum mechanical  
**Operating Temperature:** -30 to 140° F  
**Operate Time:** 18mS  
**Relay Status:** LED On = Activated  
**Dimensions:** 4.00" x 4.00" x 1.80" with .50" NPT Nipple  
**Wires:** 16", 600V Rated  
**Approvals:** UL Listed, UL916, UL864, C-UL  
 California State Fire Marshal, CE  
**Housing Rating:** Plenum, NEMA 1  
**Gold Flash:** Yes  
**Override Switch:** No

#### Contact Ratings:

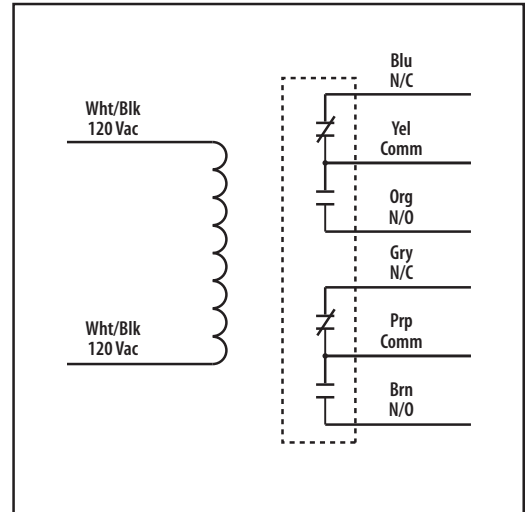
20 Amp Resistive @ 300 Vac  
 20 Amp Resistive @ 28 Vdc  
 20 Amp Ballast @ 277-480 Vac  
 15 Amp Resistive @ 600 Vac  
 770 VA Pilot Duty @ 120 Vac  
 1158 VA Pilot Duty @ 240 Vac  
 1110 VA Pilot Duty @ 277 Vac  
 1640 VA Pilot Duty @ 480 Vac  
 3 HP @ 480-600 Vac  
 2 HP @ 240-277 Vac  
 1 HP @ 120 Vac

#### Coil Current:

95 mA @ 120 Vac

#### Coil Voltage Input:

120 Vac ; 50-60 Hz  
 Drop Out = 35 Vac  
 Pull In = 85 Vac



## NOTES