

## RIB01S2

### 20 AMP POWER CONTROL RELAY

Enclosed Relay 20 Amp DPST-N/O + DP Override with 120 Vac Coil



#### SPECIFICATIONS

- # Relays & Contact Type: One (1) DPST Continuous Duty Coil
- Expected Relay Life: 10 million cycles minimum mechanical
- Operating Temperature: -30 to 140° F
- Operate Time: 18mS
- Relay Status: LED On = Activated
- Dimensions: 4.00" x 4.00" x 1.80" with .50" NPT Nipple
- Wires: 16", 600V Rated
- Approvals: UL Listed, UL916, UL864, C-UL  
 California State Fire Marshal, CE
- Housing Rating: Plenum, NEMA 1
- Gold Flash: Yes
- Override Switch: Yes

#### Contact Ratings:

- 20 Amp Resistive @ 277 Vac
- 20 Amp Ballast @ 277 Vac
- 10 Amp Tungsten @ 120 Vac
- 770 VA Pilot Duty @ 120 Vac
- 1,110 VA Pilot Duty @ 277 Vac
- 2 HP @ 277 Vac
- 1 HP @ 120 Vac

#### Coil Current:

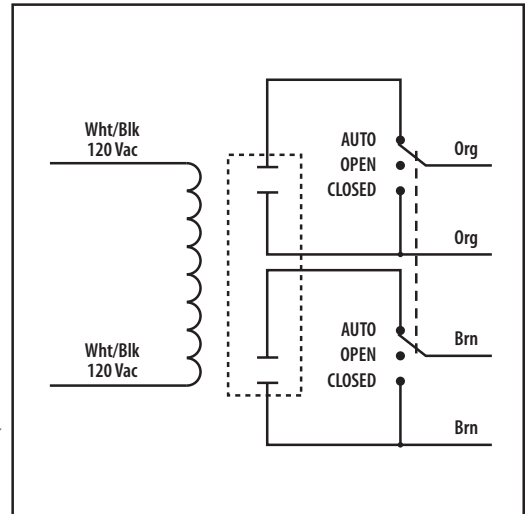
- 95 mA @ 120 Vac

#### Coil Voltage Input:

- 120 Vac ; 50-60 Hz
- Drop Out = 35 Vac
- Pull In = 85 Vac

#### Notes:

- » Order Normally Closed by adding "-NC" to end of model number
- » If switching 277 Vac, must switch same phase.



## NOTES