

## RIB02BDC

### DRY CONTACT RELAY

Enclosed Relay 20 Amp SPDT, Class 2 Dry Contact Input, 208-277 Vac Power



#### SPECIFICATIONS

- # Relays & Contact Type: One (1) SPDT Continuous Duty Coil
- Expected Relay Life: 10 million cycles minimum mechanical
- Operating Temperature: -30 to 140° F
- Relay Status: LED On = Activated
- Dimensions: 2.30" x 3.20" x 1.80" with .50" NPT Nipple
- Wires: 16", 600V Rated
- Approvals: UL Listed, UL916, C-UL  
California State Fire Marshal, CE
- Housing Rating: Plenum, NEMA 1
- Gold Flash: No
- Override Switch: No

#### Contact Ratings:

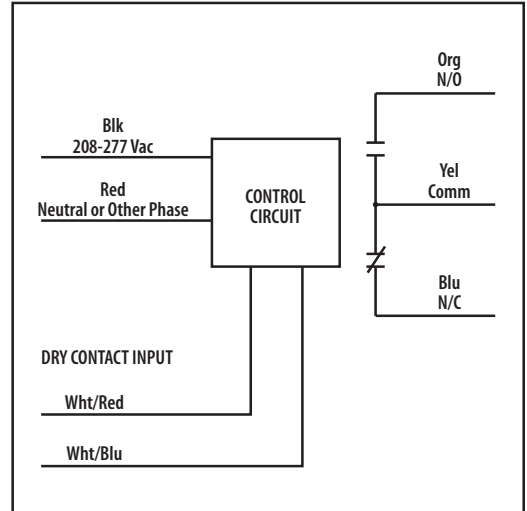
- 20 Amp Resistive @ 277 Vac
- 1110 VA Pilot Duty @ 277 Vac
- 770 VA Pilot Duty @ 120 Vac
- 20 Amp Ballast N/O @ 277 Vac
- 10 Amp Ballast N/C @ 277 Vac
- 10 Amp Tungsten N/O @ 120 Vac
- 240 Watt Tungsten N/C @ 120 Vac
- 2 HP @ 277 Vac
- 1 HP @ 120 Vac

#### Power Input:

- 62 mA @ 208-277 Vac

#### Notes:

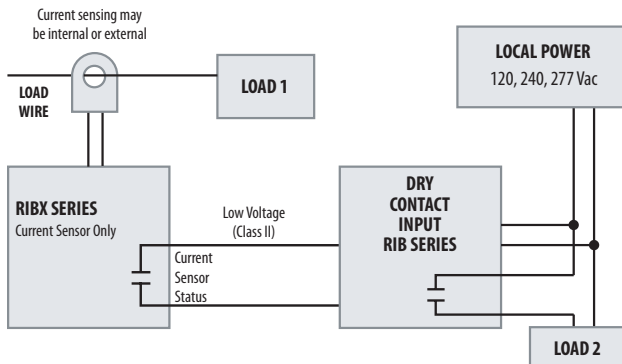
- » **Dry Contact Input Operation:**  
Close White/Red wire to White/Blue wire to activate relay. If more than one DRY-CONTACT RIB shares a single dry-contact input, White/Blue must be common.



## NOTES

### INTERLOCKING LOADS (NO TRANSFORMER)

Self-powered Current Sensors of the RIBX Series and relays of the Dry Contact Input RIB Series may be applied to interlock Load 2 to Load 1.



#### DRY CONTACT INPUT RELAYS

- RIB21CDC
- RIB01BDC
- RIB01SBDC
- RIB02BDC
- RIB02SBDC
- RIBM01ZNDC
- RIBM02ZNDC
- RIBM013PNDC
- RIBD01BDC (Time Delay)
- RIBD02BDC (Time Delay)

#### CURRENT SENSORS

- RIBXKF RIBXRF
- RIBXKTF RIBXRA
- RIBXKA RIBXJF
- RIBXKTA RIBXJA
- RIBXGA RIBMXF
- RIBXGF RIBMXA
- RIBXGTA RIBMXRF
- RIBXGTF RIBMXRA
- RIBXGFL RIBMXJF
- RIBXGFL RIBMXJA
- RIBXF
- RIBXA