

RIB12C-FA

FIRE ALARM RELAY

Enclosed Relay 10 Amp SPDT, Polarized with 12 Vac/dc Coil



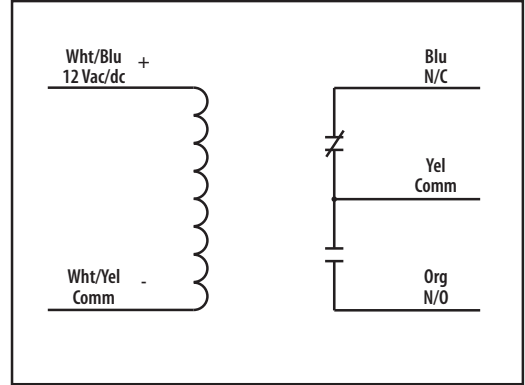
SPECIFICATIONS

- # Relays & Contact Type: One (1) SPDT Continuous Duty Coil
- Expected Relay Life: 10 million cycles minimum mechanical
- Operating Temperature: -30 to 140° F
- Operate Time: 6mS
- Relay Status: LED On = Activated
- Dimensions: 1.70" x 2.80" x 1.50" with .50" NPT nipple
- Wires: 16", 600V Rated
- Approvals: UL Listed, UL916, UL864, C-UL California State Fire Marshal, CE
- Housing Rating: Plenum, NEMA 1
- Gold Flash: No
- Override Switch: No

Contact Ratings:
 10 Amp General Use @ 277 Vac
 10 Amp Resistive @ 30 Vdc N/O
 7 Amp Resistive @ 30 Vdc N/C
 1/2 HP @ 125 Vac
 1 HP @ 250 Vac
 1/4 HP @ 277 Vac
 470 VA Pilot Duty @ 125 Vac
 770 VA Pilot Duty @ 250 Vac

Coil Current:
 48 mA @ 10 Vac
 56 mA @ 12 Vac
 26 mA @ 11 Vdc
 32 mA @ 12 Vdc

Coil Voltage Input:
 12 Vac/dc ; 50-60 Hz
 Drop Out = 2 Vac / 2.5 Vdc
 Pull In = 9 Vac / 11 Vdc



RIB12C-FA-RD
» Red housing

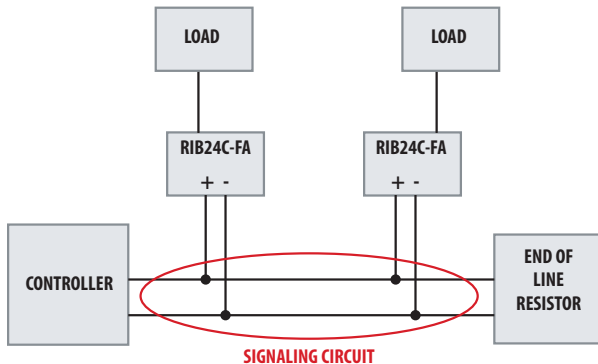


RIB12C-FA-N4
» NEMA 4X housing

NOTES

POLARIZED RELAYS

Relays are polarized to work in a supervised system and may be turned on and off by reversing polarity. For fire alarm systems, smoke control systems, etc.



ENCLOSED RELAYS

- RIB12C-FA
- RIB24C-FA
- RIB12S-FA
- RIB24S-FA
- RIBT24B-FA
- RIB24P-FA

TRACK RELAYS

- RIBMN12C-FA
- RIBMN24C-FA
- RIBMN12S-FA
- RIBMN24S-FA