

RIB2401B

20 AMP POWER CONTROL RELAY Enclosed Relay 20 Amp SPDT with 24 Vac/dc/120 Vac Coil



SPECIFICATIONS

- # Relays & Contact Type: One (1) SPDT Continuous Duty Coil
- Expected Relay Life: 10 million cycles minimum mechanical
- Operating Temperature: -30 to 140° F
- Operate Time: 18mS
- Relay Status: LED On = Activated
- Dimensions: 2.30" x 3.20" x 1.80" with .50" NPT Nipple
- Wires: 16", 600V Rated
- Approvals: UL Listed, UL916, UL864, C-UL
 California State Fire Marshal, CE
- Housing Rating: Plenum, NEMA 1
- Gold Flash: No
- Override Switch: No

Contact Ratings:

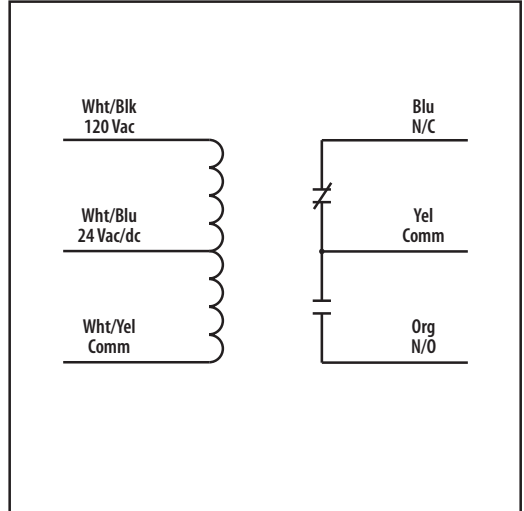
- 20 Amp Resistive @ 277 Vac
- 5 Amp Resistive @ 480 Vac
- 20 Amp Ballast N/O @ 120/277 Vac
- 10 Amp Ballast N/C @ 120/277 Vac
- 10 Amp Tungsten N/O @ 120 Vac
- 770 VA Pilot Duty @ 120 Vac
- 1,110 VA Pilot Duty @ 277 Vac
- 2 HP @ 277 Vac
- 1 HP @ 120 Vac

Coil Current:

- 45 mA @ 18 Vac
- 75 mA @ 24 Vac
- 42 mA @ 120 Vac
- 30 mA @ 22 Vdc
- 32 mA @ 24 Vdc
- 42 mA @ 30 Vdc

Coil Voltage Input:

- 24 Vac/dc ; 120 Vac ; 50-60 Hz
- Drop Out = 2.1 Vac / 3.8 Vdc
- Pull In = 18 Vac / 22 Vdc



NOTES