

RIB2401SBC

20 AMP POWER CONTROL RELAY

Enclosed Relay 20 Amp SPDT + Override with 24 Vac/dc/120 Vac Coil



SPECIFICATIONS

Relays & Contact Type: One (1) SPDT Continuous Duty Coil
Expected Relay Life: 10 million cycles minimum mechanical
Operating Temperature: -30 to 140° F
Operate Time: 18ms
Relay Status: LED On = Activated
Dimensions: 2.30" x 3.20" x 1.80" with .50" NPT Nipple
Wires: 16", 600V Rated
Approvals: UL Listed, UL916, UL864, C-UL California State Fire Marshal, CE
Housing Rating: Plenum, NEMA 1
Gold Flash: No
Override Switch: Yes (2)

Contact Ratings:

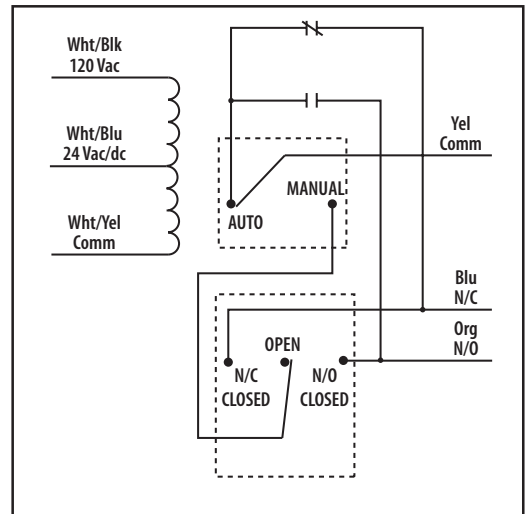
20 Amp Resistive @ 277 Vac
 20 Amp Ballast N/O @ 120/277 Vac
 10 Amp Ballast N/C @ 120/277 Vac
 10 Amp Tungsten N/O @ 120 Vac
 770 VA Pilot Duty @ 120 Vac
 1,110 VA Pilot Duty @ 277 Vac
 2 HP @ 277 Vac
 1 HP @ 120 Vac

Coil Current:

45 mA @ 18 Vac
 75 mA @ 24 Vac
 42 mA @ 120 Vac
 30 mA @ 22 Vdc
 32 mA @ 24 Vdc
 42 mA @ 30 Vdc

Coil Voltage Input:

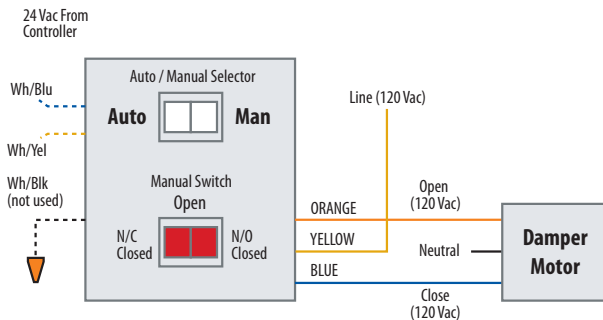
24 Vac/dc ; 120 Vac ; 50-60 Hz
 Drop Out = 2.1 Vac / 3.8 Vdc
 Pull In = 18 Vac / 22 Vdc



NOTES

DAMPER MOTOR CONTROL WITH TRUE-HOA

The damper motor can be stopped in mid position for debugging. When auto/manual selector is in auto, relay controls the load. When in manual, use the manual switch to control the load.



10 & 15 AMP

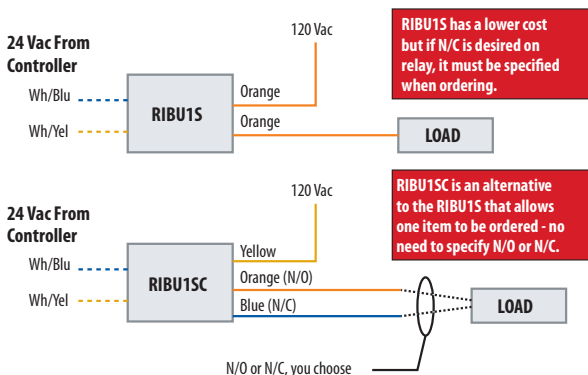
RIBU1SC
 RIBH1SC
 RIBTU1SC
 RIBTH1SC
 RIBMU1SC
 RIBMH1SC

20 AMP

RIB2401SBC
 RIB2402SBC
 RIBT2401SBC
 RIBT2402SBC
 RIBM2401SBC
 RIBM2402SBC

RIBU1S VS. RIBU1SC

Stock model RIBU1SC for relay control applications that require true-HOA on either N/O or N/C. No jumpers and no wrong orders.



10 & 15 AMP

RIBU1SC
 RIBH1SC
 RIBTU1SC
 RIBTH1SC
 RIBMU1SC
 RIBMH1SC

20 AMP

RIB2401SBC
 RIB2402SBC
 RIBT2401SBC
 RIBT2402SBC
 RIBM2401SBC
 RIBM2402SBC