

## RIB2402SBC

### 20 AMP POWER CONTROL RELAY Enclosed Relay 20 Amp SPDT + Override with 24 Vac/dc/208-277 Vac Coil



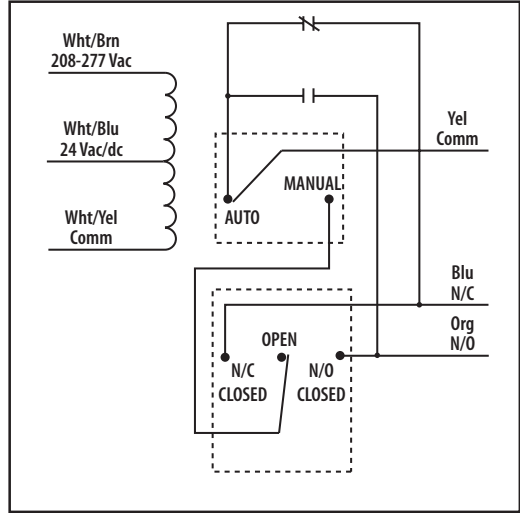
#### SPECIFICATIONS

- # Relays & Contact Type: One (1) SPDT Continuous Duty Coil
- Expected Relay Life: 10 million cycles minimum mechanical
- Operating Temperature: -30 to 140° F
- Operate Time: 18mS
- Relay Status: LED On = Activated
- Dimensions: 2.30" x 3.20" x 1.80" with .50" NPT Nipple
- Wires: 16", 600V Rated
- Approvals: UL Listed, UL916, UL864, C-UL California State Fire Marshal, CE
- Housing Rating: Plenum, NEMA 1
- Gold Flash: No
- Override Switch: Yes (2)

- #### Contact Ratings:
- 20 Amp Resistive @ 277 Vac
  - 20 Amp Ballast N/O @ 120/277 Vac
  - 10 Amp Ballast N/C @ 120/277 Vac
  - 10 Amp Tungsten N/O @ 120 Vac
  - 770 VA Pilot Duty @ 120 Vac
  - 1,110 VA Pilot Duty @ 277 Vac
  - 2 HP @ 277 Vac
  - 1 HP @ 120 Vac

- #### Coil Current:
- 45 mA @ 18 Vac
  - 75 mA @ 24 Vac
  - 62 mA @ 208-277 Vac
  - 30 mA @ 22 Vdc
  - 32 mA @ 24 Vdc
  - 42 mA @ 30 Vdc

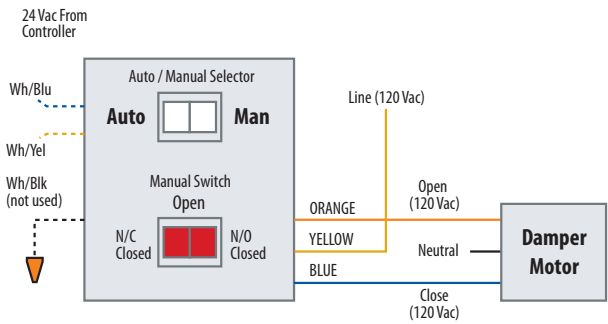
- #### Coil Voltage Input:
- 24 Vac/dc ; 208-277 Vac ; 50-60 Hz
  - Drop Out = 2.1 Vac / 3.8 Vdc
  - Pull In = 18 Vac / 22 Vdc



## NOTES

### DAMPER MOTOR CONTROL WITH TRUE-HOA

The damper motor can be stopped in mid position for debugging. When auto/manual selector is in auto, relay controls the load. When in manual, use the manual switch to control the load.



#### 10 & 15 AMP

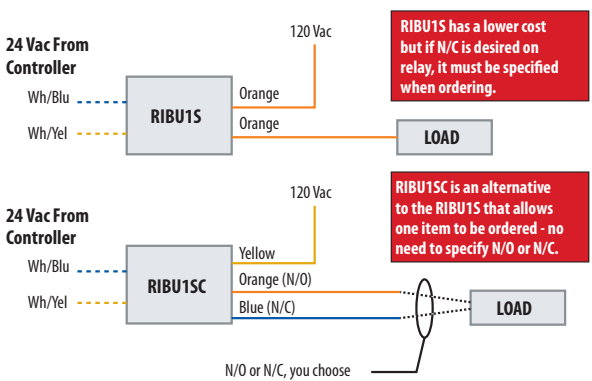
- RIBU1SC
- RIBH1SC
- RIBTU1SC
- RIBTH1SC
- RIBMU1SC
- RIBMH1SC

#### 20 AMP

- RIB2401SBC
- RIB2402SBC
- RIBT2401SBC
- RIBT2402SBC
- RIBM2401SBC
- RIBM2402SBC

### RIBU1S VS. RIBU1SC

Stock model RIBU1SC for relay control applications that require true-HOA on either N/O or N/C. No jumpers and no wrong orders.



RIBU1S has a lower cost but if N/C is desired on relay, it must be specified when ordering.

RIBU1SC is an alternative to the RIBU1S that allows one item to be ordered - no need to specify N/O or N/C.

#### 10 & 15 AMP

- RIBU1SC
- RIBH1SC
- RIBTU1SC
- RIBTH1SC
- RIBMU1SC
- RIBMH1SC

#### 20 AMP

- RIB2401SBC
- RIB2402SBC
- RIBT2401SBC
- RIBT2402SBC
- RIBM2401SBC
- RIBM2402SBC