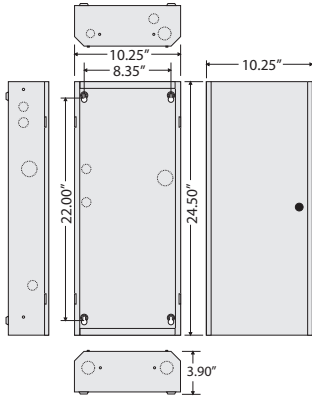


MH3500 Series

Metal Housing, NEMA 1, 24.50" H x 10.25" W x 3.90" D



Enclosure



MH3500 Series Assemblies

Model #	Enclosure	Mounting Track
MH3500	MH3500	
MH3510	MH3500	MT4-24
MH3520	MH3500	MT212-24

Specifications

Construction: 18 Gauge Steel

Weight: 10.10 lbs.

Cover Type: Reversible Hook Hinge Key Latch Door

Approvals: UL Listed, C-UL, CE Approved, RoHS

Notes:

- Consult factory for custom colors.
- Can be ordered with coin latch. Consult factory.