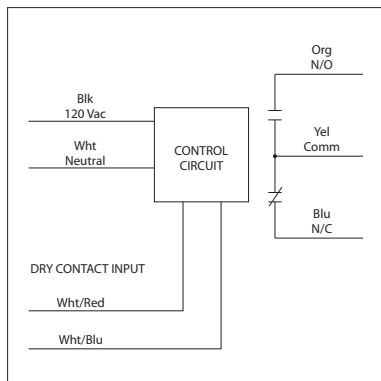


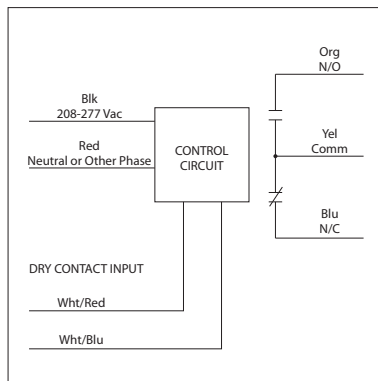
RIB01BDC

Enclosed Relay 20 Amp SPDT, Class 2 Dry
Contact Input, 120 Vac Power Input



RIB02BDC

Enclosed Relay 20 Amp SPDT, Class 2 Dry
Contact Input, 208-277 Vac Power Input



Dry Contact Relays



Specifications

Relays & Contact Type: One (1) SPDT Continuous Duty Coil
Expected Relay Life: 10 million cycles minimum mechanical
Operating Temperature: -30 to 140° F
Humidity Range: 5 to 95% (noncondensing)
Relay Status: LED On = Activated
Dimensions: 2.30" x 3.20" x 1.80" with .50" NPT Nipple
Wires: 16", 600V Rated
Approvals: UL Listed, UL916, C-UL
 California State Fire Marshal, CE, RoHS
Housing Rating: UL Accepted for Use in Plenum, NEMA 1
Gold Flash: No
Override Switch: No

Contact Ratings:
 20 Amp Resistive @ 277 Vac
 1110 VA Pilot Duty @ 277 Vac
 770 VA Pilot Duty @ 120 Vac
 20 Amp Ballast N/O @ 277 Vac
 10 Amp Ballast N/C @ 277 Vac
 10 Amp Tungsten N/O @ 120 Vac
 240 Watt Tungsten N/C @ 120 Vac
 2 HP @ 277 Vac
 1 HP @ 120 Vac

Power Input:
 42 mA @ 120 Vac (RIB01BDC)
 62 mA @ 208-277 Vac (RIB02BDC)

Notes:
 • **Dry Contact Input Operation:**
 Close White/Red wire to White/Blue wire to activate relay. If more than one DRY-CONTACT RIB® shares a single dry-contact input, White/Blue must be common.