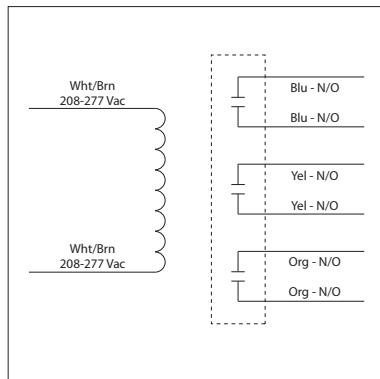


## RIB023P

Enclosed Relay 20 Amp 3PST-N/O with 208-277 Vac Coil



## 20 Amp Power Control Relay



Made in USA  
Meets  
"Buy American"  
of ABRA 2009

### Specifications

**# Relays & Contact Type:** One (1) 3PST Continuous Duty Coil

**Expected Relay Life:** 10 million cycles minimum mechanical

**Operating Temperature:** -30 to 140° F

**Humidity Range:** 5 to 95% (noncondensing)

**Operate Time:** 20mS

**Relay Status:** LED On = Activated

**Dimensions:** 4.00" x 4.00" x 1.80" with .50" NPT Nipple

**Wires:** 16', 600V Rated

**Approvals:** UL Listed, UL916, UL864, C-UL

California State Fire Marshal, CE, RoHS

**Housing Rating:** UL Accepted for Use in Plenum, NEMA 1

**Gold Flash:** No

**Override Switch:** No

#### Contact Ratings:

20 Amp Resistive @ 300 Vac, 28 Vdc

20 Amp Ballast @ 277-480 Vac

15 Amp Resistive @ 600 Vac

770 VA Pilot Duty @ 120 Vac, 1 Phase

1158 VA Pilot Duty @ 240 Vac, 1 Phase

1110 VA Pilot Duty @ 277 Vac, 1 Phase

1640 VA Pilot Duty @ 480 Vac, 1 Phase

1466 VA Pilot Duty @ 240 Vac, 3 Phase

2112 VA Pilot Duty @ 480 Vac, 3 Phase

Heavy Pilot Duty @ 600 Vac

7.5 HP @ 480 Vac, 3 Phase

5 HP @ 240 Vac, 3 Phase

3 HP @ 480-600 Vac, 1 Phase

2 HP @ 240-277 Vac, 1 Phase

1 HP @ 120 Vac, 1 Phase

#### Coil Current:

187 mA @ 208-277 Vac

#### Coil Voltage Input:

208-277 Vac ; 50-60 Hz

Drop Out = 60 Vac

Pull In = 160 Vac

#### Notes:

- Order Normally Closed by adding "-NC" to end of model number