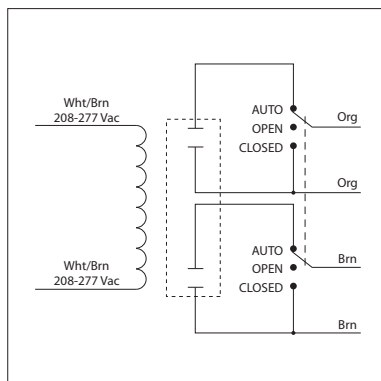


RIB02S2

Enclosed Relay 20 Amp DPST-N/O + DP Override with 208-277 Vac Coil



Specifications

Relays & Contact Type: One (1) DPST Continuous Duty Coil
Expected Relay Life: 10 million cycles minimum mechanical
Operating Temperature: -30 to 140° F
Humidity Range: 5 to 95% (noncondensing)
Operate Time: 18mS
Relay Status: LED On = Activated
Dimensions: 4.00" x 4.00" x 1.80" with .50" NPT Nipple
Wires: 16", 600V Rated
Approvals: UL Listed, UL916, UL864, C-UL
 California State Fire Marshal, CE, RoHS
Housing Rating: UL Accepted for Use in Plenum, NEMA 1
Gold Flash: Yes
Override Switch: Yes

Contact Ratings:
 20 Amp Resistive @ 277 Vac
 20 Amp Ballast @ 277 Vac
 770 VA Pilot Duty @ 120 Vac
 1109 VA Pilot Duty @ 277 Vac
 2 HP @ 277 Vac
 1 HP @ 120 Vac

Coil Current:
 105 mA @ 208-277 Vac

Coil Voltage Input:
 208-277 Vac ; 50-60 Hz
 Drop Out = 160 Vac
 Pull In = 160 Vac

Notes:

- Order Normally Closed by adding "-NC" to end of model number
- Order one contact Normally Open and other Normally Closed by adding "-NONC" to end of model number.
- If switching 277 Vac, must switch same phase.

20 Amp Power Control Relay



Made in USA
 Meets
 "Buy American"
 of ARRA 2009