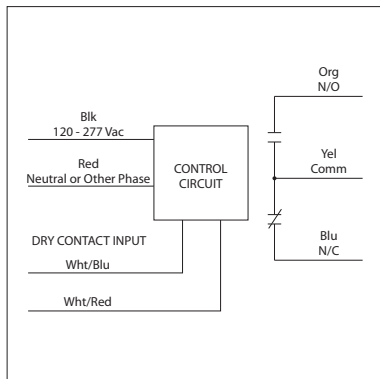


RIB21CDC

Enclosed Relay 10 Amp SPDT, Class 2 Dry Contact Input, 120-277 Vac Power Input



Specifications

Relays & Contact Type: One (1) SPDT Continuous Duty Coil
Expected Relay Life: 10 million cycles minimum mechanical
Operating Temperature: -30 to 140° F
Humidity Range: 5 to 95% (noncondensing)
Relay Status: LED On = Activated
Dimensions: 1.70" x 2.80" x 1.50" with .50" NPT Nipple
Wires: 16", 600V Rated
Approvals: UL Listed, UL916, C-UL
 California State Fire Marshal, CE, RoHS
Housing Rating: UL Accepted for Use in Plenum, NEMA 1
Gold Flash: No
Override Switch: No

Contact Ratings:
 10 Amp General Use @ 277 Vac
 10 Amp Resistive @ 30 Vdc N/O
 7 Amp Resistive @ 30 Vdc N/C
 1/2 HP @ 125 Vac
 1 HP @ 250 Vac
 1/4 HP @ 277 Vac
 470 VA Pilot Duty @ 125 Vac
 770 VA Pilot Duty @ 250 Vac

Power Input:
 50 mA @ 240 Vac Max.

Notes:

• **Dry Contact Input Operation:**
 Close White/Red wire to White/Blue wire to activate relay. If more than one DRY-CONTACT RIB® shares a single dry-contact input, White/Blue must be common.

Dry Contact Relays

