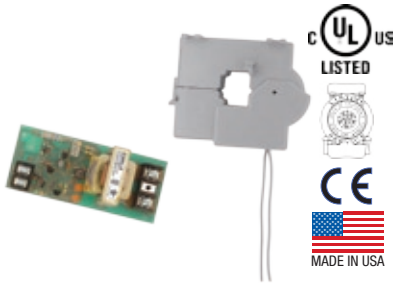


## RIBMXJA

### CURRENT SENSOR

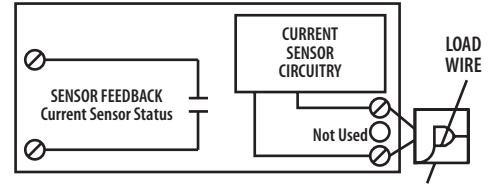
4.00" Track Mount Split Ring Remote Adjustable 10-150 Amp Current Sensor



#### SPECIFICATIONS

Operating Temperature: -30 to 140° F  
 Dimensions: 1.700" x 4.000" x 1.250"  
 Track Mount: 4.000"; See MT4 Series on page 148  
 Wire Length: 16", 600V Rated  
 Approvals: UL Listed, UL916, UL864, C-UL  
 California State Fire Marshal, CE

Sensor Type: External, with contact status  
 Inside Diameter: .92" x .90"  
 Outside Diameter: 3.75" x 2.85"  
 Sensor Threshold: Adjustable, 10-150 Amps  
 Sensor Range: 10-150 Amps  
 Sensor Output: Solid State Contact 30 Vac/dc, 0.4 Amp  
 Max Sense Voltage: 600 Vac



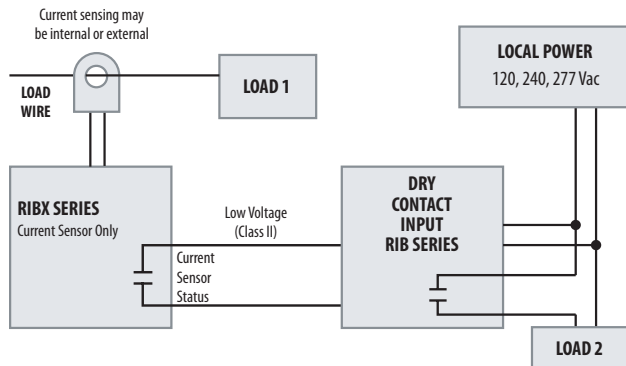
Solid State Contact  
 30 Vac/dc  
 4 Amp Max.

When current sensor status is off (open),  
 leakage <30 uA @ 30Vac/dc  
 When current sensor status is on (closed),  
 voltage drop <.3 Vac/dc @ .1 Amp  
 <1.6 Vac/dc @ .4 Amp

## NOTES

### INTERLOCKING LOADS (NO TRANSFORMER)

Self-powered Current Sensors of the RIBX Series and relays of the Dry Contact Input RIB Series may be applied to interlock Load 2 to Load 1.



#### DRY CONTACT INPUT

##### RELAYS

- RIB21CDC
- RIB01BDC
- RIB01SBDC
- RIB02BDC
- RIB02SBDC
- RIBM01ZNC
- RIBM02ZNC
- RIBM013PNC
- RIBD01BDC (Time Delay)
- RIBD02BDC (Time Delay)

#### CURRENT SENSORS

- RIBXKF RIBXRF
- RIBXKTF RIBXRA
- RIBXKA RIBXJF
- RIBXKTA RIBXJA
- RIBXGA RIBMXF
- RIBXGF RIBMXA
- RIBXGTA RIBMXRF
- RIBXGTF RIBMXRA
- RIBXGFL RIBMXJF
- RIBXGTFL RIBMXJA
- RIBXF
- RIBXA