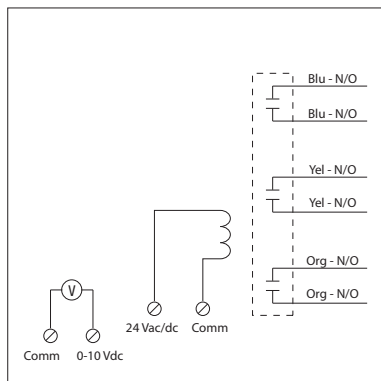
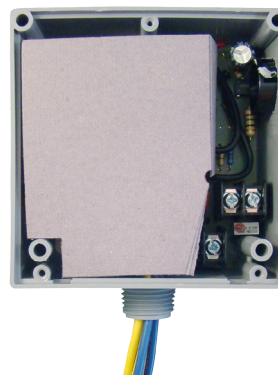


## RIBX243PV

Enclosed Internal 0-20 Amp to 0-10 Vdc DC Transducer + Relay 20 Amp 3PST with 24 Vac/dc Coil



## Relay & AC Transducer Combo, DC Voltage Out



## Specifications

**# Relays & Contact Type:** One (1) 3PST Continuous Duty Coil

**Expected Relay Life:** 10 million cycles minimum mechanical

**Operating Temperature:** -30 to 140° F

**Humidity Range:** 5 to 95% (noncondensing)

**Operate Time:** 20mS

**Relay Status:** Red LED On = Activated

**Dimensions:** 4.00" x 4.00" x 1.80" with .50" NPT Nipple

**Wire Length:** 16", 600V Rated

**Approvals:** UL Listed, UL916, UL864, C-UL

California State Fire Marshal, CE, RoHS

**Housing Rating:** UL Accepted for Use in Plenum, NEMA 1

**Gold Flash:** No

**Override Switch:** No

### Coil Current:

210 mA @ 24 Vac

154 mA @ 30 Vdc

### Coil Voltage Input:

24 Vac/dc ; 50-60 Hz

Drop Out = 3 Vac / 3.8 Vdc

Pull In = 20 Vac / 20 Vdc

### Contact Ratings:

20 Amp Resistive @ 300 Vac, 28 Vdc

20 Amp Ballast @ 277-480 Vac

15 Amp Resistive @ 600 Vac

770 VA Pilot Duty @ 120 Vac, 1 Phase

1158 VA Pilot Duty @ 240 Vac, 1 Phase

1110 VA Pilot Duty @ 277 Vac, 1 Phase

1640 VA Pilot Duty @ 480 Vac, 1 Phase

1466 VA Pilot Duty @ 240 Vac, 3 Phase

2112 VA Pilot Duty @ 480 Vac, 3 Phase

Heavy Pilot Duty @ 600 Vac

7.5 HP @ 480 Vac, 3 Phase

5 HP @ 240 Vac, 3 Phase

3 HP @ 480-600 Vac, 1 Phase

2 HP @ 240-277 Vac, 1 Phase

1 HP @ 120 Vac, 1 Phase

**Sensor Type:** Internal, with voltage output. Current sensing on orange wires

**Sensor Range:** 0-20 Amps

### Sensor Output:

- Voltage output is proportional to current sensor range.
- Min. Input Impedance = 30K ohms
- Accuracy +/- 1% full scale
- Vripple < 10m Vac

### Notes:

- Order Normally Closed by adding "-NC" to end of model number
- Can be ordered with 0-5 Vdc voltage output - Consult factory.