

RIBXK21CDC

Enclosed Fixed .25-150 Amp Current Sensor with Terminal Strip Output and Enclosed Relay 10 Amp SPDT, Class 2 Dry Contact Input, 120-277 Vac Power

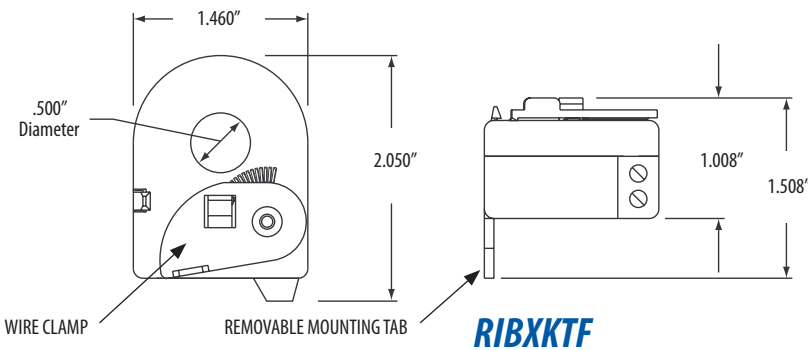


Functional Devices, Inc. A600C 2005



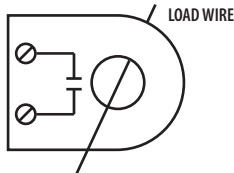
RIBXKTF (CURRENT SENSOR)

- Operating Temperature:** -30 to 140° F
- Output:** Terminal Strip, Accepts #14-22 AWG Wire
- Sensor Type:** Internal
- Sensor Threshold:** Fixed, .25 Amp
- Sensor Range:** .25-150 Amps
- Sensor Output:** Solid State Contact 30 Vac/dc
0.4 Amp Max.
- Max Sense Voltage:** 600 Vac
- Approvals:** UL Listed, UL916, UL864, C-UL Canada, CE Approved
- Housing Rating:** Plenum, NEMA 1
- Mounting/Installation:** Removable mounting tab provided. The wire clamp locks against the load wire, securing the unit in place.



SENSOR OUTPUT
Solid State Contact
30 Vac/dc, .4 Amp Max.

When current sensor status is off (open),
leakage <30 uA @ 30Vac/dc
When current sensor status is on (closed),
voltage drop <.3 Vac/dc @ .1 Amp
<1.6 Vac/dc @ .4 Amp



RIB21CDC (RELAY)

- # Relays & Contact Type:** One (1) SPDT Continuous Duty Coil
- Expected Relay Life:** 10 million cycles minimum mechanical
- Operating Temperature:** -30 to 140° F
- Relay Status:** LED On = Activated
- Dimensions:** 1.70" x 2.80" x 1.50" with .50" NPT Nipple
- Wires:** 16", 600V Rated
- Approvals:** UL Listed, UL916, C-UL Canada
California State Fire Marshal
CE Approved
- Housing Rating:** Plenum, NEMA 1
- Gold Flash:** No
- Override Switch:** No
- Contact Ratings:** 10 Amp General Use @ 250 Vac
10 Amp Resistive @ 30 Vdc
1/2 HP @ 125-250 Vac
470 VA Pilot Duty @ 120-240 Vac
- Power Input:** 50 mA @ 240 Vac Max.
- Note:** Dry Contact Input Operation:
Close White/Blue to White/Red to activate relay. If more than one dry contact RIB is used in common, must connect White/Blue to common.

