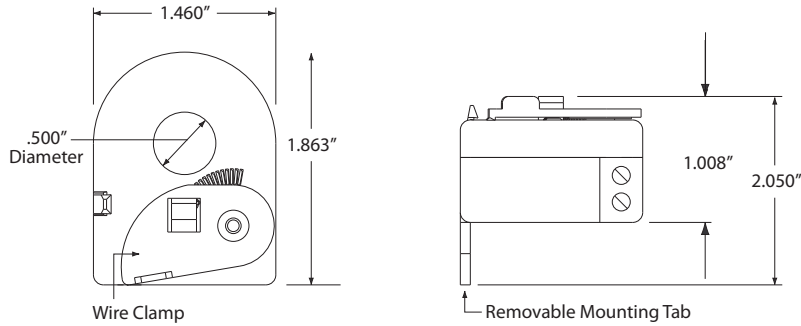
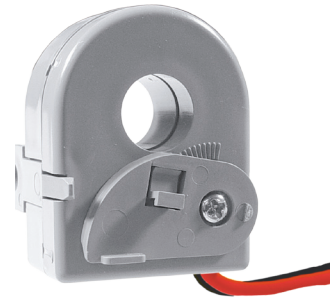


RIBXK420 Series

Enclosed Split Core 20, 50, and 100 Amp Current Transducers with Loop Powered 4-20 mA Output (Pre-Wired)



AC Transducers, 4-20 mA DC Out, Solid Core



Specifications

- Operating Temperature:** -30 to 140° F
- Humidity Range:** 5 to 95% (noncondensing)
- Wires:** Red & Black, 16", 18 AWG, 600V Rated
- Sensor Type:** Internal, with 4-20 mA Transmitter Output
- Sensor Range:** 0-20 Amps, 0-50 Amps, or 0-100 Amps (See Selection Guide Below)
- Accuracy:** 96.4% FS
- Linearity:** 99% FS (25%-100% Span)
- Max Output Current:** 30 mA
- Max Sense Voltage:** 600 Vac
- Approvals:** UL Listed, UL916, UL864, C-UL, California State Fire Marshal, CE, RoHS
- Mounting/Installation:** Removable mounting tab provided. The wire clamp locks against the load wire, securing the unit in place.

Maximum Output Load Resistance	Supply Voltage	
	Minimum	Maximum
800 ohms	24 Vdc	35 Vdc
500 ohms	18 Vdc	35 Vdc
350 ohms	15 Vdc	35 Vdc
250 ohms	13 Vdc	30 Vdc
200 ohms	12 Vdc	30 Vdc
100 ohms	10 Vdc	28 Vdc
50 ohms	9 Vdc	28 Vdc

RIBXKTV Series Selection Guide		
Model#	Range	Output
RIBXK420-20	0-20 Amps	Loop Powered 4-20 mA Transmitter (Pre-Wired)
RIBXK420-50	0-50 Amps	Loop Powered 4-20 mA Transmitter (Pre-Wired)
RIBXK420-100	0-100 Amps	Loop Powered 4-20 mA Transmitter (Pre-Wired)