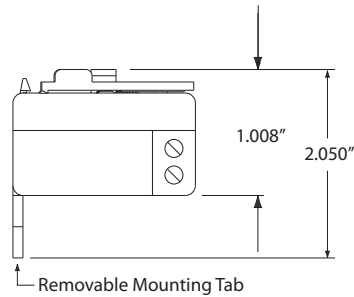
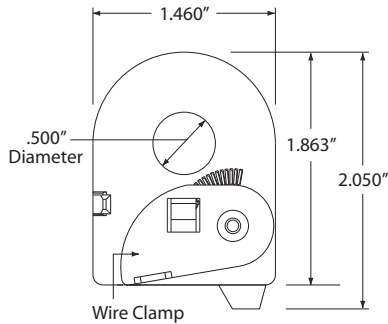


RIBXKTV Series

Enclosed Solid Core Current to DC Transducers

AC Transducers, 0-5 Vdc Out, Solid Core



Specifications

Operating Temperature: -30 to 140° F

Humidity Range: 5 to 95% (noncondensing)

Accuracy: 96.8% Full Scale

Loading: RIBXKTV5-10, 1% Error @ 180 kΩ
RIBXKTV5-20, 1% Error @ 90 kΩ
RIBXKTV5-50, 1% Error @ 40 kΩ
RIBXKTV5-100, 1% Error @ 15 kΩ

Max Sense Voltage: 600 Vac

Approvals: UL Listed, UL916, UL864, California State Fire Marshal, C-UL, CE, RoHS

Mounting/Installation: Removable mounting tab provided. The wire clamp locks against the load wire, securing the unit in place.

Sensor Type: Solid core with voltage output

RIBXKTV Series Selection Guide

Model#	Range	Output
RIBXKTV5-10	0-10 Amp	0-5 Vdc (Terminal Strip, Accepts #14-22 AWG Wire)
RIBXKTV5-20	0-20 Amp	0-5 Vdc (Terminal Strip, Accepts #14-22 AWG Wire)
RIBXKTV5-50	0-50 Amp	0-5 Vdc (Terminal Strip, Accepts #14-22 AWG Wire)
RIBXKTV5-100	0-100 Amp	0-5 Vdc (Terminal Strip, Accepts #14-22 AWG Wire)