



Functional Devices, Inc.
 310 South Union Street
 Russiaville, IN 46979
 www.FunctionalDevices.com

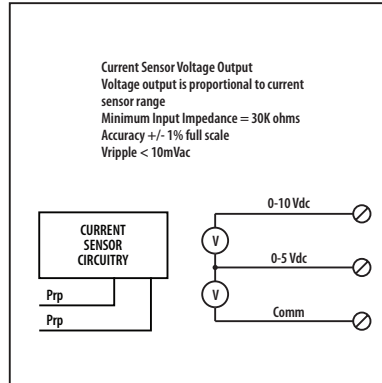
Office 765.883.5538
 Sales 800.888.5538
 Fax 765.883.7505
 Email sales@FunctionalDevices.com



Current Transducer

RIBXV

Enclosed Internal 0-30 Amp to 0-5 Vdc / 0-10 Vdc
 Current Transducer



SPECIFICATIONS

- Operating Temperature: -30 to 140° F
- Dimensions: 4.00" x 4.00" x 1.80" with .50" NPT Nipple
- Wire Length: 16", 600V Rated
- Approvals: UL Listed, UL916, UL864, C-UL
 California State Fire Marshal, CE, RoHS
- Housing Rating: Plenum, NEMA 1
- Sensor Type: Internal, with voltage output
- Sensor Range: 0-30 Amps
- Max Sense Voltage: 600 Vac

Notes