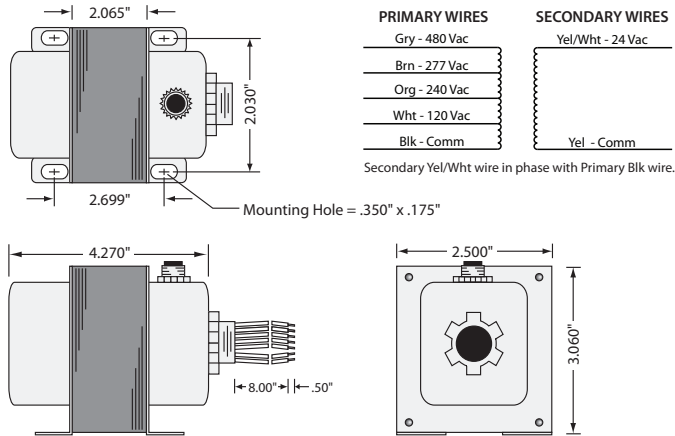


**TR100VA005**

Transformer 100 VA, 480/277/240/120 to 24 Vac, Circuit Breaker, Foot and Single Threaded Hub Mount



**Transformer**



**Specifications**

- VA Rating:** 100
- Frequency:** 50/60 Hz
- Mounting:** Foot & Single Threaded Hub
- Over Current Protection:** Circuit Breaker
- Dimensions:** 3.060" x 2.500" x 4.270" (w/ .500" NPT Hub)
- Wire Length:** 8" Typical w/ .5" Strip
- Operating Temperature:** -30 to 140° F
- MTBF:** 100,000 Hours @ 77° F
- Construction:** Split-Bobbin
- Weight:** 4.74 lbs.
- Approvals:** Class 2 UL5085-3 Listed, C-UL, CE, RoHS