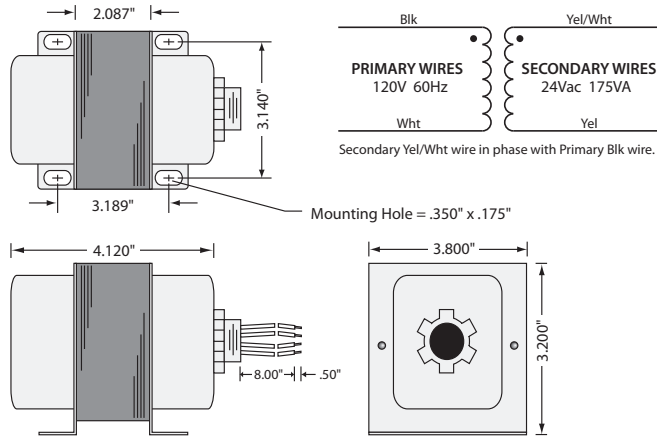


## TR175VA003

Transformer 175 VA, 120 to 24 Vac, Foot and Single Threaded Hub Mount



## Transformer



## Specifications

- VA Rating:** 175
- Frequency:** 50/60 Hz
- Mounting:** Foot & Single Threaded Hub
- Over Current Protection:** Thermal Fuse on Primary
- Dimensions:** 3.200" x 3.800" x 4.120"  
(w/ .500" NPT Hub)
- Wire Length:** 8" Typical w/ .5" Strip
- Operating Temperature:** -30 to 140° F
- MTBF:** 100,000 Hours @ 77° F
- Construction:** Split-Bobbin
- Weight:** 7.44 lbs.
- Approvals:** UL5085-2 Listed General Purpose, C-UL, CE, RoHS