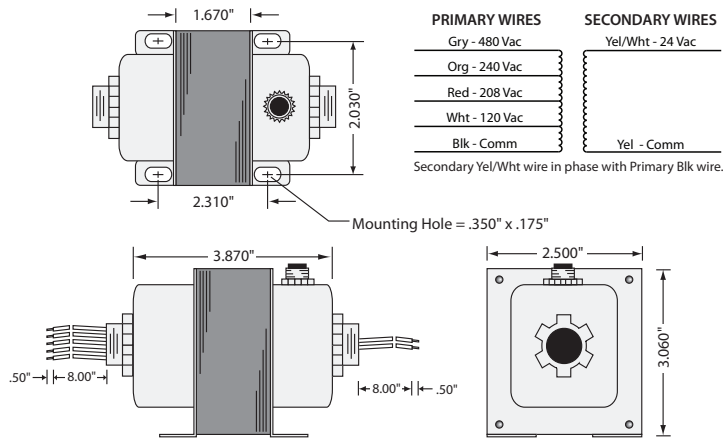


**TR75VA007**

Transformer 75 VA, 480/240/208/120 to 24 Vac, Circuit Breaker, Foot and Dual Threaded Hub Mount

**Transformer**



**Specifications**

- VA Rating:** 75
- Frequency:** 50/60 Hz
- Mounting:** Foot & Dual Threaded Hub
- Over Current Protection:** Circuit Breaker
- Dimensions:** 3.060" x 2.500" x 3.870"  
(w/ .500" NPT Hubs)
- Wire Length:** 8" Typical w/ .5" Strip
- Operating Temperature:** -30 to 140° F
- MTBF:** 100,000 Hours @ 77° F
- Construction:** Split-Bobbin
- Weight:** 3.97 lbs.
- Approvals:** Class 2 UL5085-3 Listed, C-UL, CE, RoHS