

RIB Functional Devices, Inc™
RIBMNWX2402SB-LN

Bulletin B1135 • 393099E

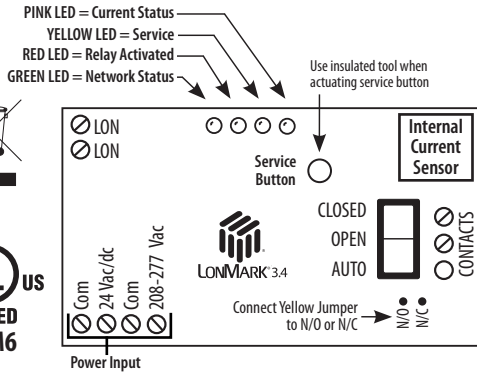
CONTACT RATINGS
 20A Resistive @ 277 Vac
 20A Ballast @ 120/277 Vac (N/O)
 10A Ballast @ 120/277 Vac (N/C)
 10A Tungsten @ 120 Vac (N/O)
 1110 VA Pilot Duty @ 277 Vac
 770 VA Pilot Duty @ 120 Vac
 2 HP @ 277 Vac
 1 HP @ 120 Vac

POWER INPUT
 24 Vac/dc
 208-277 Vac

POWER INPUT RATINGS
 24 Vac, 105mA Max
 24 Vdc, 78mA Max
 208-277 Vac, 120mA Max

CURRENT SENSE RANGE
 0.25–20 Amps

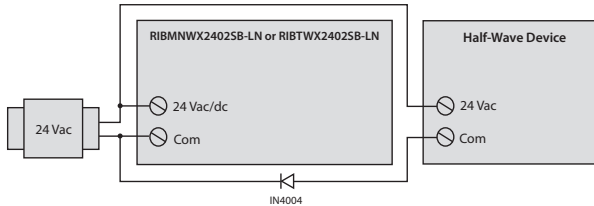
Open Energy Management Equip.



FOR SUPPLY CONNECTIONS USE #12AWG WIRES OR LARGER RATED FOR AT LEAST 75°C(167°F).
CAUTION: RISK OF ELECTRIC SHOCK - MORE THAN ONE DISCONNECT MAY BE REQUIRED TO DEENERGIZE THE DEVICE BEFORE SERVICING.

When connecting 24 Vac to both the RIB(s) and a half-wave device, damage to device can occur. Option 1: Use separate transformers for each device. Option 2: Add diode between devices, see Option 2 note. ^^

^^ Option 2:
 Add diode on 24 Vac power (Com) interconnection between devices. Band on diode faces towards RIB(s).



RIB Functional Devices, Inc™
RIBMNWX2402SB-LN

Bulletin B1135 • 393099E

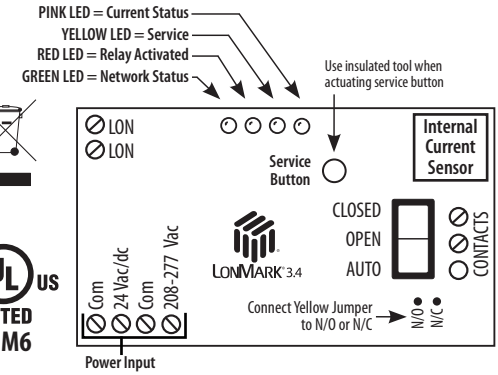
CONTACT RATINGS
 20A Resistive @ 277 Vac
 20A Ballast @ 120/277 Vac (N/O)
 10A Ballast @ 120/277 Vac (N/C)
 10A Tungsten @ 120 Vac (N/O)
 1110 VA Pilot Duty @ 277 Vac
 770 VA Pilot Duty @ 120 Vac
 2 HP @ 277 Vac
 1 HP @ 120 Vac

POWER INPUT
 24 Vac/dc
 208-277 Vac

POWER INPUT RATINGS
 24 Vac, 105mA Max
 24 Vdc, 78mA Max
 208-277 Vac, 120mA Max

CURRENT SENSE RANGE
 0.25–20 Amps

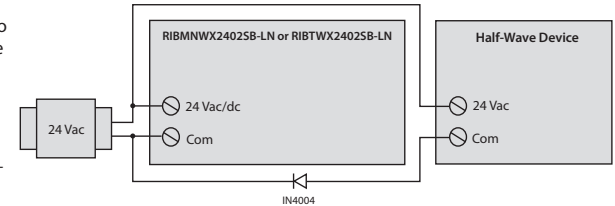
Open Energy Management Equip.



FOR SUPPLY CONNECTIONS USE #12AWG WIRES OR LARGER RATED FOR AT LEAST 75°C(167°F).
CAUTION: RISK OF ELECTRIC SHOCK - MORE THAN ONE DISCONNECT MAY BE REQUIRED TO DEENERGIZE THE DEVICE BEFORE SERVICING.

When connecting 24 Vac to both the RIB(s) and a half-wave device, damage to device can occur. Option 1: Use separate transformers for each device. Option 2: Add diode between devices, see Option 2 note. ^^

^^ Option 2:
 Add diode on 24 Vac power (Com) interconnection between devices. Band on diode faces towards RIB(s).



RIB Functional Devices, Inc™
RIBMNWX2402SB-LN

Bulletin B1135 • 393099E

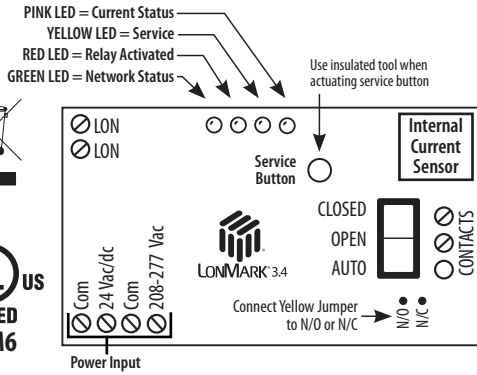
CONTACT RATINGS
 20A Resistive @ 277 Vac
 20A Ballast @ 120/277 Vac (N/O)
 10A Ballast @ 120/277 Vac (N/C)
 10A Tungsten @ 120 Vac (N/O)
 1110 VA Pilot Duty @ 277 Vac
 770 VA Pilot Duty @ 120 Vac
 2 HP @ 277 Vac
 1 HP @ 120 Vac

POWER INPUT
 24 Vac/dc
 208-277 Vac

POWER INPUT RATINGS
 24 Vac, 105mA Max
 24 Vdc, 78mA Max
 208-277 Vac, 120mA Max

CURRENT SENSE RANGE
 0.25–20 Amps

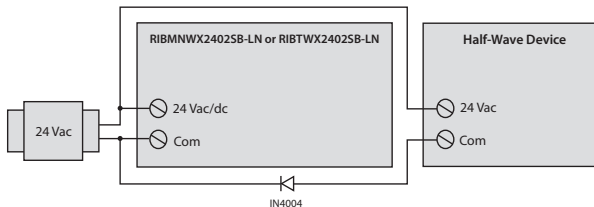
Open Energy Management Equip.



FOR SUPPLY CONNECTIONS USE #12AWG WIRES OR LARGER RATED FOR AT LEAST 75°C(167°F).
CAUTION: RISK OF ELECTRIC SHOCK - MORE THAN ONE DISCONNECT MAY BE REQUIRED TO DEENERGIZE THE DEVICE BEFORE SERVICING.

When connecting 24 Vac to both the RIB(s) and a half-wave device, damage to device can occur. Option 1: Use separate transformers for each device. Option 2: Add diode between devices, see Option 2 note. ^^

^^ Option 2:
 Add diode on 24 Vac power (Com) interconnection between devices. Band on diode faces towards RIB(s).



RIB Functional Devices, Inc™
RIBMNWX2402SB-LN

Bulletin B1135 • 393099E

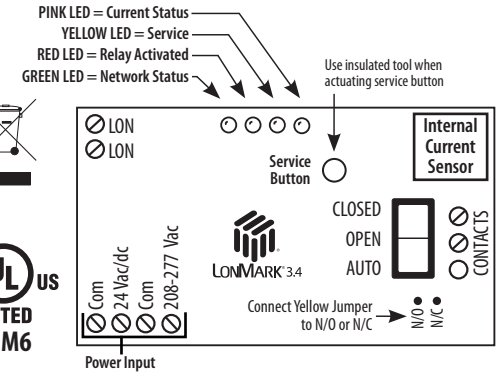
CONTACT RATINGS
 20A Resistive @ 277 Vac
 20A Ballast @ 120/277 Vac (N/O)
 10A Ballast @ 120/277 Vac (N/C)
 10A Tungsten @ 120 Vac (N/O)
 1110 VA Pilot Duty @ 277 Vac
 770 VA Pilot Duty @ 120 Vac
 2 HP @ 277 Vac
 1 HP @ 120 Vac

POWER INPUT
 24 Vac/dc
 208-277 Vac

POWER INPUT RATINGS
 24 Vac, 105mA Max
 24 Vdc, 78mA Max
 208-277 Vac, 120mA Max

CURRENT SENSE RANGE
 0.25–20 Amps

Open Energy Management Equip.



FOR SUPPLY CONNECTIONS USE #12AWG WIRES OR LARGER RATED FOR AT LEAST 75°C(167°F).
CAUTION: RISK OF ELECTRIC SHOCK - MORE THAN ONE DISCONNECT MAY BE REQUIRED TO DEENERGIZE THE DEVICE BEFORE SERVICING.

When connecting 24 Vac to both the RIB(s) and a half-wave device, damage to device can occur. Option 1: Use separate transformers for each device. Option 2: Add diode between devices, see Option 2 note. ^^

^^ Option 2:
 Add diode on 24 Vac power (Com) interconnection between devices. Band on diode faces towards RIB(s).

