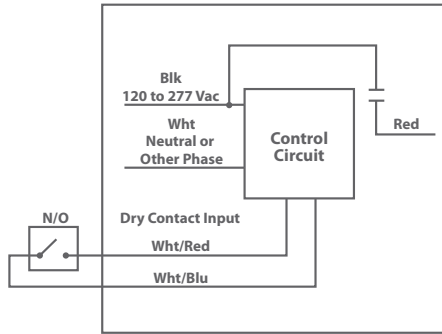


• **CLC212-D15**
(15 minute delay)

• **CLC212-D60**
(60 minute delay)

Note: All models in this series REQUIRE a Normally-Open contact (not included) to control the Dry Contact Inputs.

A Normally Open (N/O) door switch is open when no outside forces are acting upon it. When used in this application, the switch is closed when the door is closed, and the switch opens when the door is opened, activating the controller to turn the light on.



CLC212 with Delay Series

Option 1: Delay¹

1. Open the door
2. The light turns on
3. Delay times out
4. The light turns off (with the door still open)

Option 2: No Delay / Always On¹

1. Open the door
2. The light turns on
3. Close and re-open the door within 3 seconds of initial door opening (step 1).
4. The light stays on until door is closed

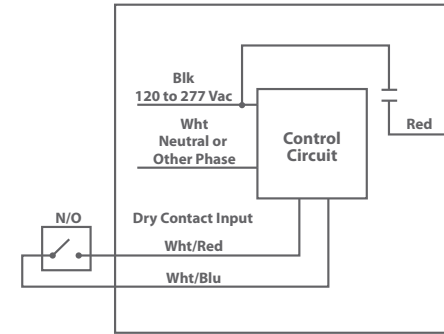
¹ At any point in time, if the N/O switch is closed (door is closed) the light will turn off and the delay will reset to zero (0)

• **CLC212-D15**
(15 minute delay)

• **CLC212-D60**
(60 minute delay)

Note: All models in this series REQUIRE a Normally-Open contact (not included) to control the Dry Contact Inputs.

A Normally Open (N/O) door switch is open when no outside forces are acting upon it. When used in this application, the switch is closed when the door is closed, and the switch opens when the door is opened, activating the controller to turn the light on.



CLC212 with Delay Series

Option 1: Delay¹

1. Open the door
2. The light turns on
3. Delay times out
4. The light turns off (with the door still open)

Option 2: No Delay / Always On¹

1. Open the door
2. The light turns on
3. Close and re-open the door within 3 seconds of initial door opening (step 1).
4. The light stays on until door is closed

¹ At any point in time, if the N/O switch is closed (door is closed) the light will turn off and the delay will reset to zero (0)