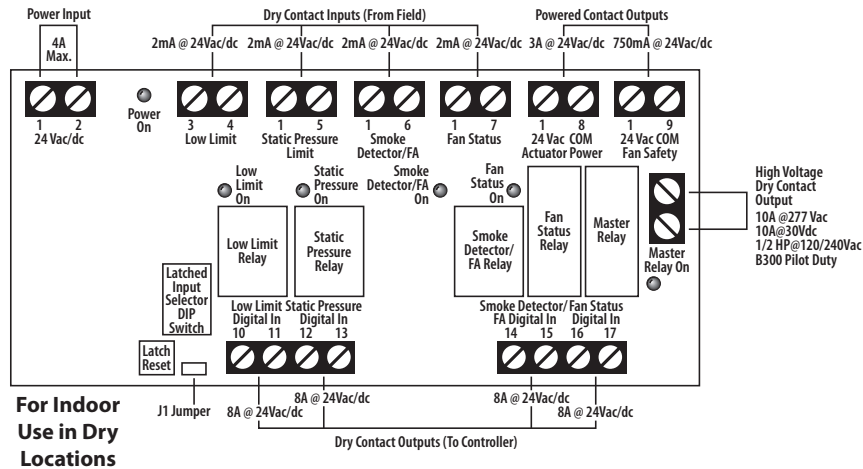


393063J **Bulletin B725**



For Indoor Use in Dry Locations

Operating Instructions

Select (Fan Status) input to control master (Fan Safety) relay:

To allow fan status input to control the master relay, install jumper by pulling it off the single pin connection and placing it securely over both J1 pins (shorting the connection.) To disallow fan status input to control the master relay, remove J1 jumper from both J1 pins and place it over just one of these pins, it does not matter which (opening the connection.)

Setting an output to Latch upon Alarm

The 4 Dry Contact inputs each have a corresponding DIP switch to control latching. See legend next to DIP switch on board.

To latch, close the switch by pressing the right side.

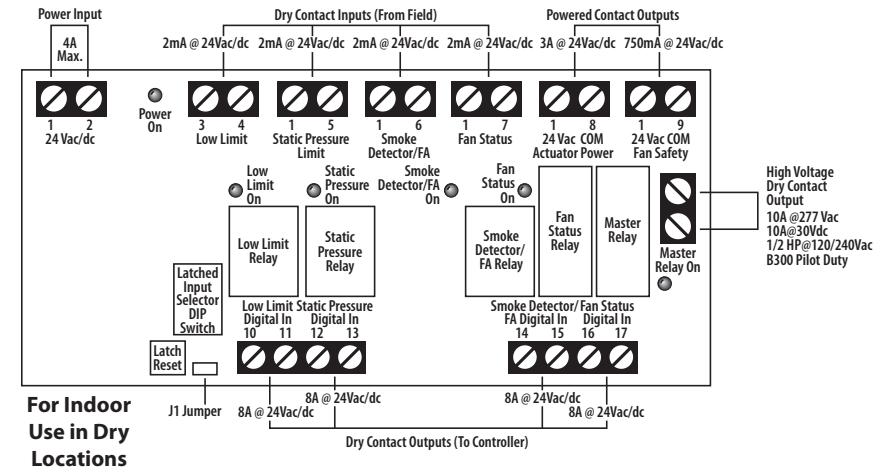
To not latch, open the switch by pressing the left side.

Normally-Open vs. Normally-Closed Inputs

To check normal relay state:

1. Remove any loads from outputs as the relays will activate and may inadvertently trigger loads.
2. Power on device.
3. Remove J1 Jumper.
4. Press and hold RESET pushbutton until first three LED's and relays (Low Limit, Static Pressure, Fire Alarm) begin flashing.
5. The relays and LED's will turn on and off five (5) times, signaling entry to this mode.
6. Normally-closed relays will turn on, normally-open relays will turn off (master relay will also be off) for a few seconds.
7. The first three LED's and relays will turn on and off six (6) times, signaling exit from this mode.
8. Power down device.
9. Return J1 jumper, DIP switches, and wiring for desired operation.

393063J **Bulletin B725**



For Indoor Use in Dry Locations

Operating Instructions

Select (Fan Status) input to control master (Fan Safety) relay:

To allow fan status input to control the master relay, install jumper by pulling it off the single pin connection and placing it securely over both J1 pins (shorting the connection.) To disallow fan status input to control the master relay, remove J1 jumper from both J1 pins and place it over just one of these pins, it does not matter which (opening the connection.)

Setting an output to Latch upon Alarm

The 4 Dry Contact inputs each have a corresponding DIP switch to control latching. See legend next to DIP switch on board.

To latch, close the switch by pressing the right side.

To not latch, open the switch by pressing the left side.

Normally-Open vs. Normally-Closed Inputs

To check normal relay state:

1. Remove any loads from outputs as the relays will activate and may inadvertently trigger loads.
2. Power on device.
3. Remove J1 Jumper.
4. Press and hold RESET pushbutton until first three LED's and relays (Low Limit, Static Pressure, Fire Alarm) begin flashing.
5. The relays and LED's will turn on and off five (5) times, signaling entry to this mode.
6. Normally-closed relays will turn on, normally-open relays will turn off (master relay will also be off) for a few seconds.
7. The first three LED's and relays will turn on and off six (6) times, signaling exit from this mode.
8. Power down device.
9. Return J1 jumper, DIP switches, and wiring for desired operation.



To set normal relay state:

1. Remove any loads from outputs as the relays will activate and may inadvertently trigger loads.
2. Power on device.
3. Install J1 Jumper.
4. Set corresponding DIP switches to closed/latched position for normally-closed input, open/unlatched position for normally-open input.
5. Press and hold RESET Pushbutton until first three LED's and relays (Low Limit, Static Pressure, Fire Alarm) begin flashing.
6. The first three LED's and relays (Low Limit, Static Pressure, Fire Alarm) will turn on and off three (3) times.
7. The Inputs are now set.
8. Normally-closed relays will turn on, normally-open relays will turn off (master relay will also be off) for a few seconds.
9. The first three LED's and relays will turn on and off four (4) times, signaling exit from this mode.
10. Power down device.
11. Return J1 jumper, DIP switches, and wiring for desired operation.

WARNING: DISCONNECT POWER BEFORE OPENING.

AVERTISSEMENT: COUPER LE COURANT AVANT D'OUVRIER.

**FOR SUPPLY CONNECTIONS USE #14AWG WIRES OR LARGER
RATED FOR AT LEAST 75°C (167°F).**

USE COPPER CONDUCTORS ONLY.



To set normal relay state:

1. Remove any loads from outputs as the relays will activate and may inadvertently trigger loads.
2. Power on device.
3. Install J1 Jumper.
4. Set corresponding DIP switches to closed/latched position for normally-closed input, open/unlatched position for normally-open input.
5. Press and hold RESET Pushbutton until first three LED's and relays (Low Limit, Static Pressure, Fire Alarm) begin flashing.
6. The first three LED's and relays (Low Limit, Static Pressure, Fire Alarm) will turn on and off three (3) times.
7. The Inputs are now set.
8. Normally-closed relays will turn on, normally-open relays will turn off (master relay will also be off) for a few seconds.
9. The first three LED's and relays will turn on and off four (4) times, signaling exit from this mode.
10. Power down device.
11. Return J1 jumper, DIP switches, and wiring for desired operation.

WARNING: DISCONNECT POWER BEFORE OPENING.

AVERTISSEMENT: COUPER LE COURANT AVANT D'OUVRIER.

**FOR SUPPLY CONNECTIONS USE #14AWG WIRES OR LARGER
RATED FOR AT LEAST 75°C (167°F).**

USE COPPER CONDUCTORS ONLY.