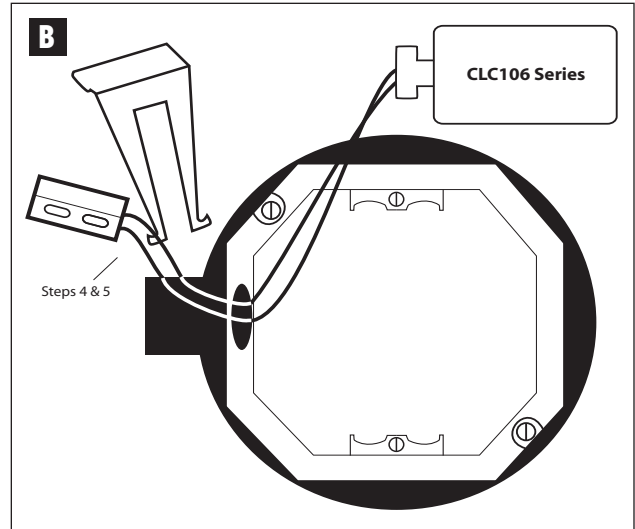
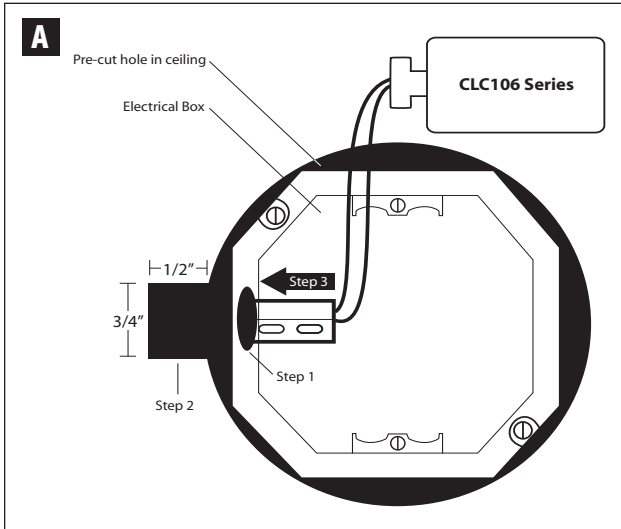




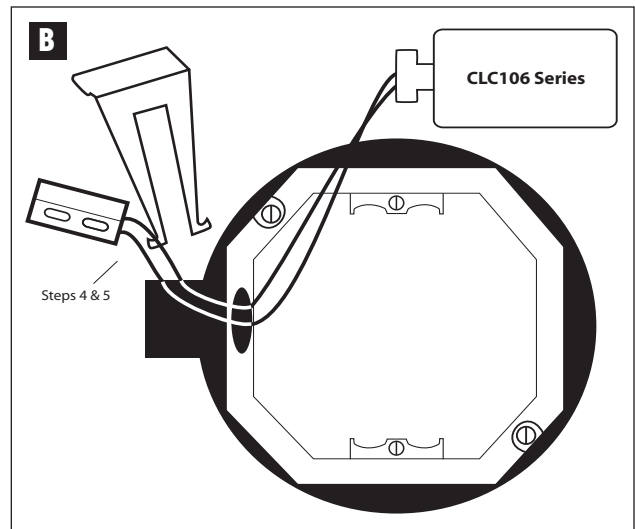
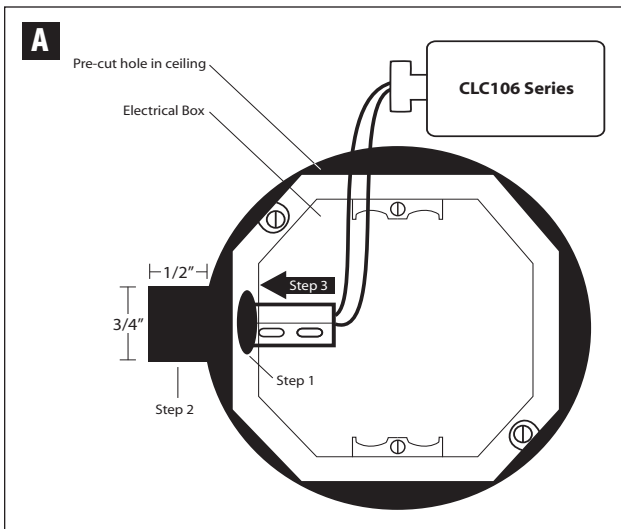
1. Punch 1/2" KO in Electrical Box. (Illustration A)
2. Make 3/4" x 1/2" hole in ceiling next to KO. (Illustration A)
3. Place Magnetic Switch through KO. (Illustration A)
4. Grab wires from Magnetic Switch with hooks on the bottom of Retaining Clip. (Illustration B)
5. Pull Magnetic Switch and wires through 3/4" x 1/2" hole. (Illustration B)



Instructions continued on back.



1. Punch 1/2" KO in Electrical Box. (Illustration A)
2. Make 3/4" x 1/2" hole in ceiling next to KO. (Illustration A)
3. Place Magnetic Switch through KO. (Illustration A)
4. Grab wires from Magnetic Switch with hooks on the bottom of Retaining Clip. (Illustration B)
5. Pull Magnetic Switch and wires through 3/4" x 1/2" hole. (Illustration B)



Instructions continued on back.

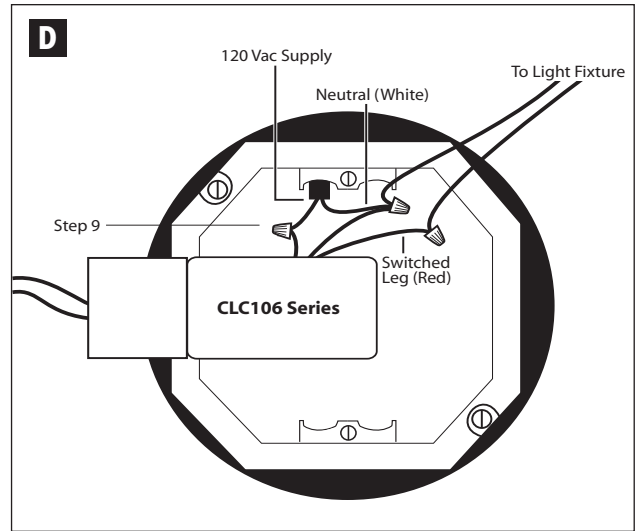
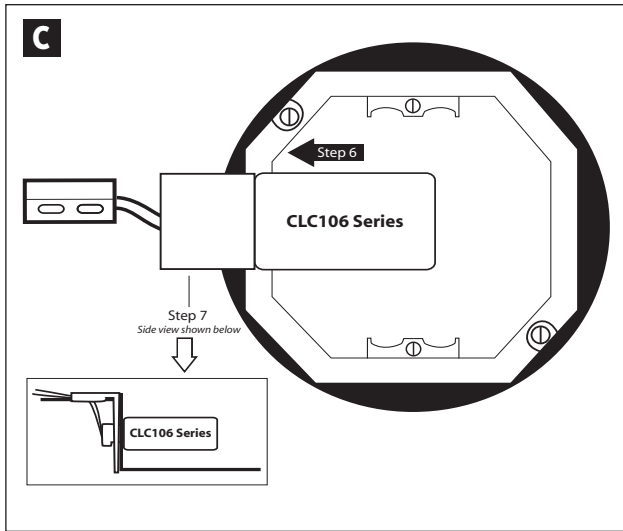
6. Push neck of housing through Electrical Box. *(Illustration C)*

7. Insert Retaining Clip around neck on outside of Electrical Box. Wires should come out below the Retaining Clip to protect insulation, as shown in drawing. (Hooks on Retaining Clip may need to be cut for full insertion around neck. The Retaining Clip will cover the 3/4" x 1/2" hole made in ceiling. *(Illustration C)*

8. Run Magnetic Switch over to door and install in desired location.

9. Wiring: Attach 120V Hot to Black Wire from CLC106 Series. Attach Neutral to White Wire from CLC106 Series and Neutral on the light fixture. Attach Red Switched Leg from CLC106 to the other wire of the light fixture. *(Illustration D)*

10. Install light fixture according to manufacturer's specifications onto Electrical Box.



393080D

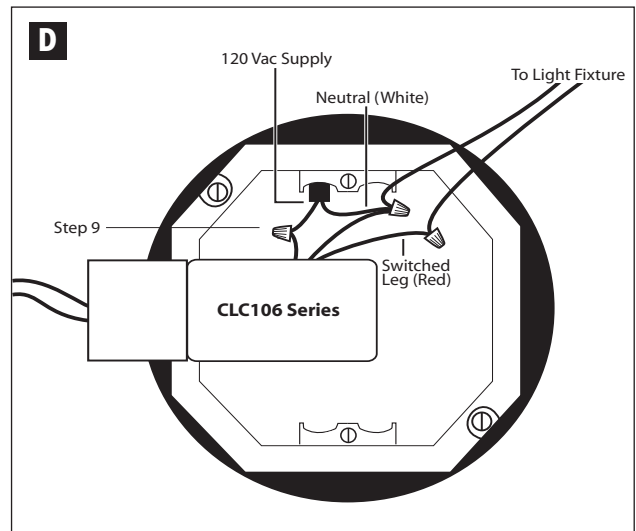
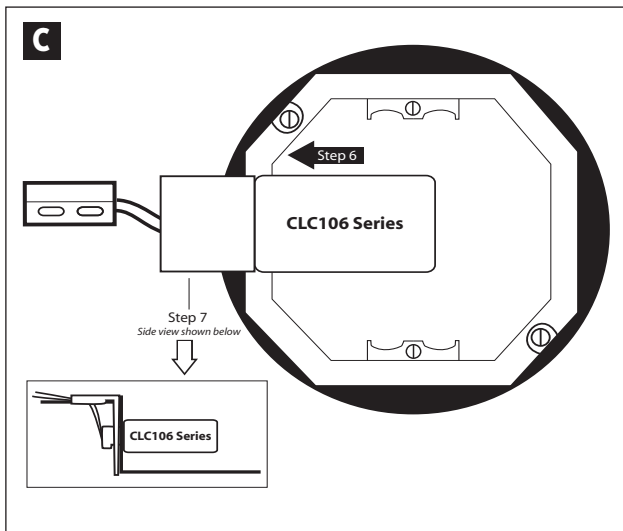
6. Push neck of housing through Electrical Box. *(Illustration C)*

7. Insert Retaining Clip around neck on outside of Electrical Box. Wires should come out below the Retaining Clip to protect insulation, as shown in drawing. (Hooks on Retaining Clip may need to be cut for full insertion around neck. The Retaining Clip will cover the 3/4" x 1/2" hole made in ceiling. *(Illustration C)*

8. Run Magnetic Switch over to door and install in desired location.

9. Wiring: Attach 120V Hot to Black Wire from CLC106 Series. Attach Neutral to White Wire from CLC106 Series and Neutral on the light fixture. Attach Red Switched Leg from CLC106 to the other wire of the light fixture. *(Illustration D)*

10. Install light fixture according to manufacturer's specifications onto Electrical Box.



393080D