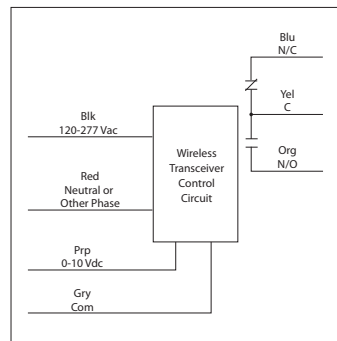
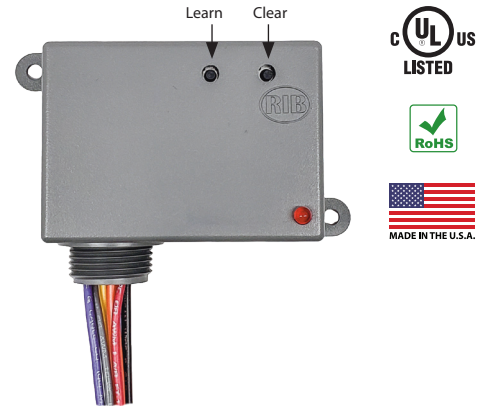


FDLR20GV

Enclosed 902 MHz Wireless Relay Transceiver /
Repeater 20 Amp SPDT,
120-277 Vac Power, with 0-10 Vdc Analog Output



WIRELESS CONTROL RELAY



Relay has built-in repeater function.
Relay receives signal from wireless
switch transmitter and rebroadcasts
the signal to the next relay receiver.

Specifications

Relays & Contact Type: One (1) SPDT Continuous Duty Coil
Expected Relay Life: 10 million cycles minimum mechanical
Operating Temperature: -30 to 140° F
Humidity Range: 5 to 95% (noncondensing)
Red LED: Relay Status / Learn Mode Status (Flashing)
Dimensions: 2.30" x 3.20" x 1.80" with .75" NPT Nipple
Wires: 16", 600V Rated
Approvals: UL Listed, UL916, C-UL, RoHS,
Agency Compliance: FCCID: SZV-TCM320U
IC: 5713A-TCM320U
Housing Rating: UL Accepted for Use in Plenum, NEMA 1
Gold Flash: No
Override Switch: No
Frequency: 902 MHz
Receiver Sensitivity: -93 dBm typical
Conducted Power: 5 mW typical
Built-in Switch Modes: Alarm, Repeater, Delay, Dimming, Rocker,
Momentary, and Toggle
Shipping Weight: 0.66 lbs.

Contact Ratings:
20 Amp Resistive @ 277 Vac
20 Amp Ballast @ 277 Vac (N/O)
10 Amp Ballast @ 277 Vac (N/C)
16 Amp Electronic Ballast @ 277 Vac (N/O)
10 Amp Tungsten @ 120 Vac (N/O)
770 VA Pilot Duty @ 120 Vac
1,110 VA Pilot Duty @ 277 Vac
2 HP @ 277 Vac
1 HP @ 120 Vac

Power Input Ratings:
39 mA max @ 120-277 Vac

0-10 Vdc Output Ratings:
10 mA Sourcing
50 mA Sinking

Notes:

- Compatible with EnOcean® 902 MHz Switches/Transmitters.
- Typical range: 50-150 ft.
 - Open area transmission could be farther. Consult factory for more information.
- Repeater function only rebroadcasts original EnOcean® transmission. Up to two repeaters can be used.
- For setup instructions, see website for FDLR20GV Application Manual