

POWER SUPPLIES

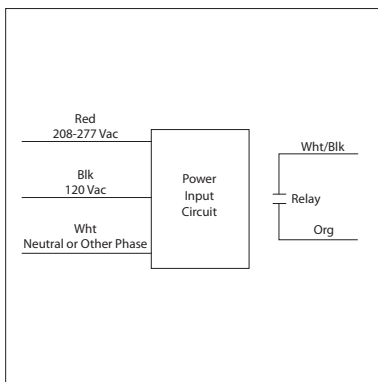
## Plug & Play Energy Saving Device for Lighting

### Up to 50% Energy Savings & Works with All Lighting

#### TWO STAGE & THREE STAGE HALF-LIGHT® BALLAST CONTROLLERS

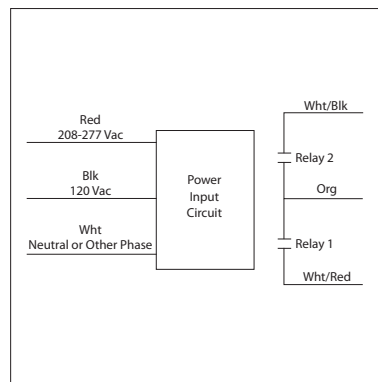
##### HAF2

Enclosed Independent Control for Multiple Ballast Light Fixtures from One Existing Wall Switch, **Two Stage**; 120/208-277 Vac Power Input



##### HAF3

Enclosed Independent Control for Multiple Ballast Light Fixtures from One Existing Wall Switch, **Three Stage**; 120/208-277 Vac Power Input



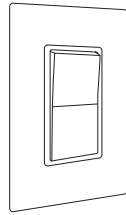
#### SPECIFICATIONS

**Input Power:** 120 / 208-277 Vac  
**Contact Ratings:** 5 Amp Ballast @ 120-277 Vac  
 5 Amp Incandescent @ 120 Vac  
**Operating Temperature:** -30 to 140° F  
**Humidity Range:** 5 to 95% (noncondensing)

**Dimensions:** 3.75" x 1.66" x 1.18"  
**Weight:** 0.20 lbs. (HAF2); 0.24 lbs. (HAF3)  
**Wire Length:** 6.00"  
**Approvals:** UL Listed, UL916, C-UL  
**Power Consumption:** Refer to www. Half-Light.com for details

# THREE APPLICATIONS

## MULTIPLE BALLAST LIGHT FIXTURES CLASSROOMS, OFFICES & HIGH BAY FLUORESCENT FIXTURES



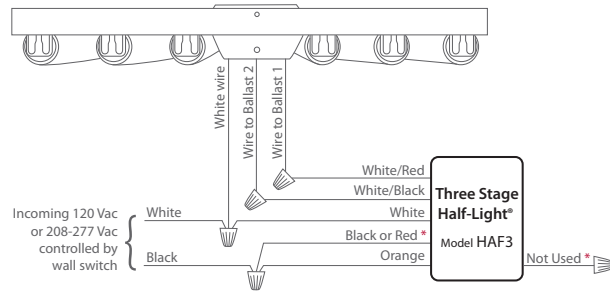
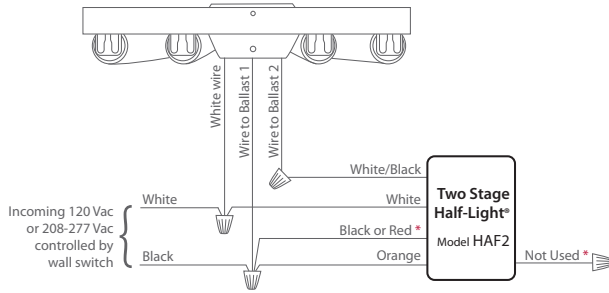
### TWO STAGE HALF-LIGHT®

Switch ON  
activates Ballast 1 Only (50% light)  
Switch OFF, then ON  
activates Both Ballasts (Full light)

Wall switch can be replaced by switching devices such as contactors, relays, or controllers.

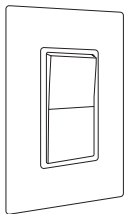
### THREE STAGE HALF-LIGHT®

Switch ON  
activates Ballast 1 Only  
Switch OFF, then ON  
activates Ballast 2 Only  
Switch OFF, then ON  
activates Both Ballasts (Full light)



POWER SUPPLIES

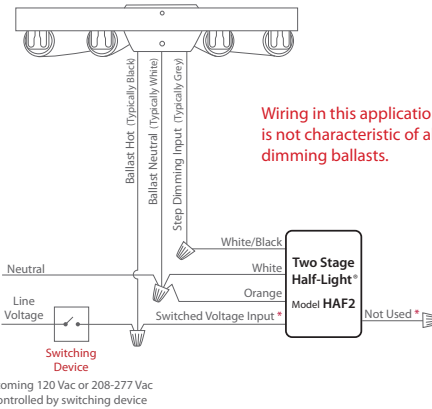
## STEP DIMMING BALLAST CONTROL ELIMINATES DUAL WALL SWITCH CONTROL



### TWO STAGE HALF-LIGHT®

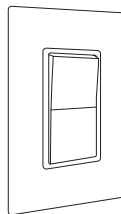
Switch ON  
50% Light  
Switch OFF, then ON  
Full Light

Wall switch can be replaced by switching devices such as contactors, relays, or controllers.



Wiring in this application note is not characteristic of all step dimming ballasts.

## ALTERNATE FIXTURE CONTROL HIGH BAY FIXTURES IN BOX STORES, GYMNASIUMS, EXHIBITION HALLS & WAREHOUSES



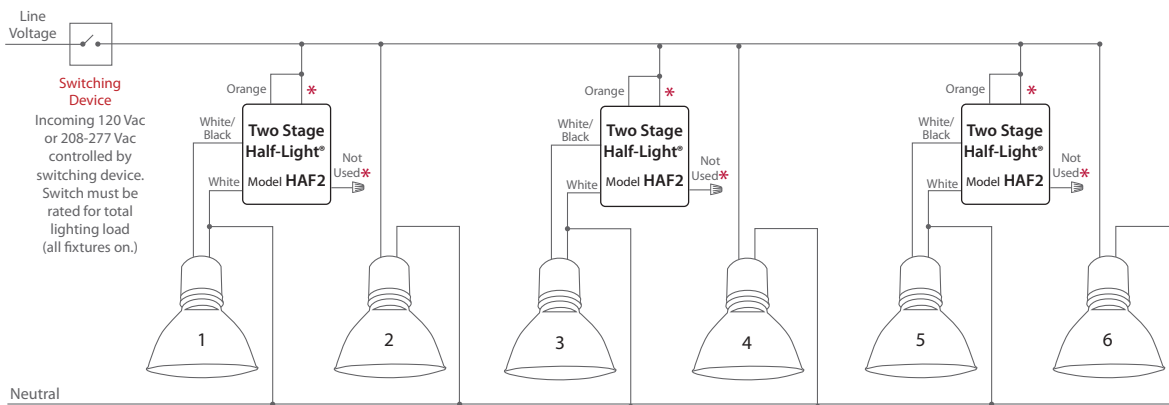
### TWO STAGE HALF-LIGHT®

Switch ON  
Every Other Light On  
Switch OFF, then ON  
All Lights On

Wall switch can be replaced by switching devices such as contactors, relays, or controllers.

Start up and restart times may vary depending on fixture.

Lights 2, 4, and 6 controlled by switch only.  
Half-Light® controls lights 1, 3, and 5.



\* For 120 Vac systems, Black wire is used, Red wire is not used. For 208-277 Vac systems, Red wire is used, Black wire is not used.