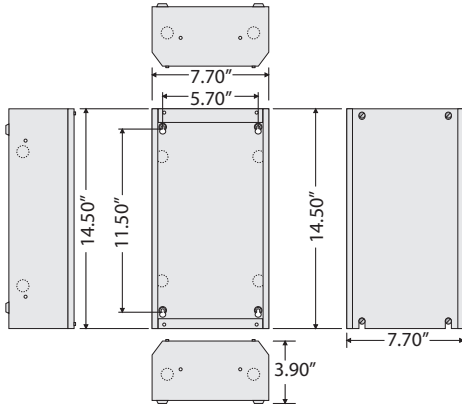


**ENCLOSURE**

**MH1000 Series**

Metal Housing, NEMA 1, 14.50" H x 7.70" W x 3.90" D



**MH1000 SERIES ASSEMBLIES**

Model #	Enclosure	Plastic Snap Track
MH1000	MH1000	
MH1010	MH1000	MT4-12 (4.00" W)
MH1020	MH1000	MT212-12 (2.75" W)

**SPECIFICATIONS**

**Construction:** 18 Gauge Steel  
**Cover Type:** Screw Down Cover  
**Approvals:** UL Listed, C-UL, CE, RoHS

**Notes:**  
 • Consult factory for custom colors for large orders.