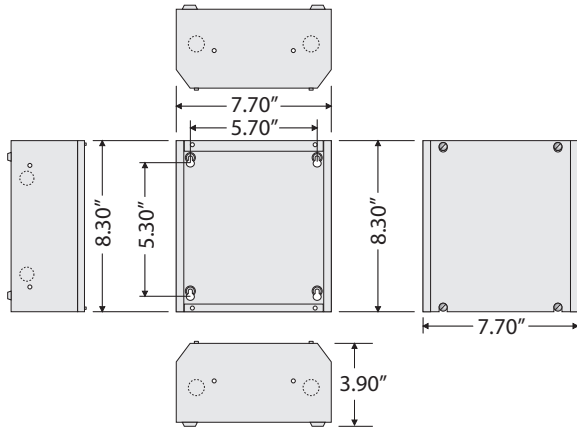


ENCLOSURE

MH1200 Series

Metal Housing, NEMA 1, 8.30" H x 7.70" W x 3.90" D



MH1200 SERIES ASSEMBLIES		
Model #	Enclosure	Plastic Snap Track
MH1200	MH1200	
MH1210	MH1200	MT4-8 (4.00" W)
MH1220	MH1200	MT212-8 (2.75" W)

SPECIFICATIONS

Construction: 18 Gauge Steel
Cover Type: Screw Down Cover
Approvals: UL Listed, C-UL, CE, RoHS

Notes:
 • Consult factory for custom colors for large orders.