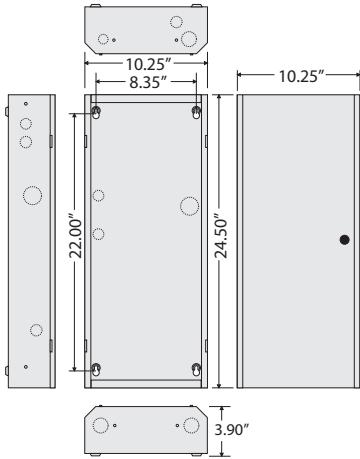


ENCLOSURE

MH3500 Series

Metal Housing, NEMA 1, 24.50" H x 10.25" W x 3.90" D



MH3500 SERIES ASSEMBLIES

Model #	Enclosure	Plastic Snap Track
MH3500	MH3500	
MH3510	MH3500	MT4-24 (4.00" W)
MH3520	MH3500	MT212-24 (2.75" W)

SPECIFICATIONS

Construction: 18 Gauge Steel

Cover Type: Reversible Hook Hinge Key Latch Door

Approvals: UL Listed, C-UL, CE, RoHS

Notes:

- Consult factory for custom colors for large orders.
- Order with coin latch by adding "-L4" to end of model number.