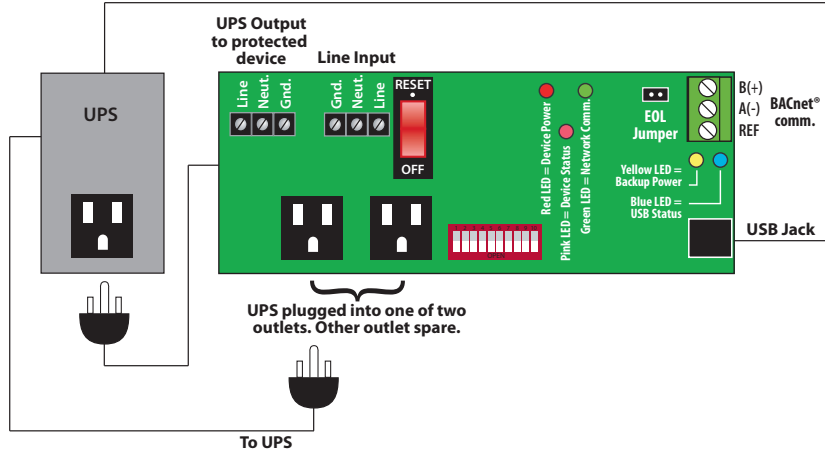


**UNINTERRUPTIBLE POWER SUPPLY KIT - BACnet® COMPATIBLE**

**PSH600-UPS-BC**

Enclosed BACnet® Network 600 VA UPS Backup Power Control Center



**SPECIFICATIONS**

**BOARD AND ENCLOSURE:**

- Operating Temperature:** -30 to 140° F
- Humidity Range:** 5 to 95% (noncondensing)
- Indicators:**
  - Device Power: Red LED
  - Device Status: Pink LED
  - Network Communication: Green LED
  - Backup Power: Yellow LED
  - USB Status: Blue LED
- Main Breaker ON/OFF:** Switch / Breaker (10 Amp)
- Dimensions:** 12" x 16" x 6"
- Track Mount:** 2.750" x 8.000"
  - MT212-8N Mounting Track Included
- Approvals:** UL Listed, UL916, C-UL, CE, RoHS
- Line Input:** 120Vac, 10A(max)
- Convenience Receptacles:** 120Vac, 10A(max combined)

- Power Input Rating:** 25mA @ 120Vac
- Network Media:** Twisted Pair 22-24 AWG, shielded recommended (MS/TP) USB A/B (device to UPS, included)
- Terminations:** Functional Devices product installed at both ends of the MS/TP network - Use 120 Ohm End of Line Resistors. All other cases follow instructions from the device installed at the end of the MS/TP network.
- Polarity:** Network is polarity sensitive.
- Baud Rate:** 9600, 192000, 38400, 76800, 115200 (DIP Switch Selectable)

| DIP SWITCHES* |   |    | BAUD RATE |
|---------------|---|----|-----------|
| 8             | 9 | 10 |           |
| 0             | 0 | 0  | 9600      |
| 0             | 0 | 1  | 19200     |
| 0             | 1 | 0  | 38400     |
| 0             | 1 | 1  | 57600     |
| 1             | 0 | 0  | 76800     |
| 1             | 0 | 1  | 115200    |

All other combinations=9600 baud

- Notes:**
  - Circuit breaker for short-circuit protection.
  - 14/3 Line Cord included (3').

- BACnet® Details:**
  - MS/TP Address & Baud Rate must be set prior to power up via DIP switches.
  - Device ID will default to 277XXX where XXX is the MS/TP Address.

MS/TP Address - 004  
Device ID - 277004

MS/TP Address - 121  
Device ID - 277121

- Device ID can be changed via network command. Once changed, it will no longer default to 277XXX. (MS/TP Address & Device ID must be unique.)
- Devices Instance changed via Object Identifier Property of Device Object.
- Status of UPS connection, Battery run time, line power, UPS load (VA and %), and battery capacity can be read from BACnet network.

**Information provided over BACnet® network can be used to schedule "predictive maintenance" such as UPS battery replacement, etc.**

**UPS:**

- UPS:** 600VA
- Backup Time:** 2.5 Min. @ Full 600 VA Load  
10.2 Min. @ 1/2 Load
- Input:** 120 Vac, 12 Amp
- Output:** 120 Vac, 4.6 Amp
- Max Load:** 330 Watt
- Frequency:** 50/60 Hz
- Temperature Rating of UPS:** 32 to 104° F
- UPS Transfer Time:** 6ms
- Approvals:** UL Listed, UL1778
- Weight:** 8.4 lbs.

- Notes:**
  - Average battery life: 3-5 years depending on the number of discharge cycles and environmental temperature
  - This model is not designed to notify user of battery failure.
  - This model is designed to work exclusively with Functional Devices Model UPS600

**ESTIMATED BACKUP TIME VS. LOAD**

