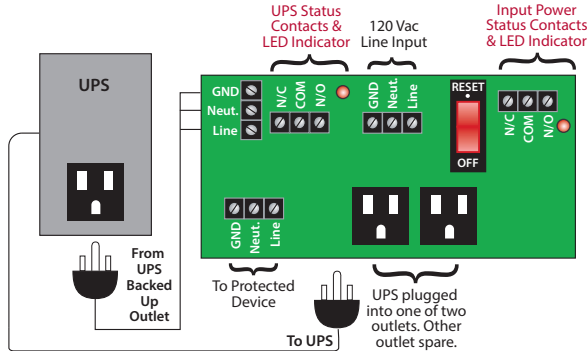


UNINTERRUPTIBLE POWER SUPPLY IN KIT

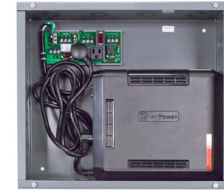
PSH850-UPS-STAT

Kit Consisting of Enclosed Power Control Center Model PSH2C2RB10-L (10 Amp Switch / Circuit Breaker, Two (2) 120 Vac Outlets, Terminals, 120 Vac Input) with a 850 VA UPS. (Status Contacts)

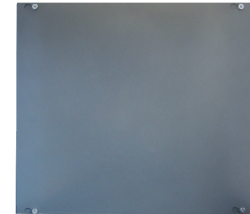


SINUSOIDAL OUTPUT OR PURE SINE WAVE OUTPUT

Shown Without Cover



Shown With Cover



Made in USA Meets "Buy American" of ARRA 2009

SPECIFICATIONS

UPS

- UPS: 850VA
- Backup Time: 2 Min. @ Full 850 VA Load
8 Min. @ 1/2 Load
- Input: 120 Vac, 12 Amp
- Sine Wave Output: 120 Vac, 7.1 Amp
- Max Load: 510 Watt
- Frequency: 50/60 Hz
- Temperature Rating of UPS: 32 to 95° F
- UPS Transfer Time: 4ms
- Approvals: UL Listed, UL1778
- Weight: 15 lbs.
- Model: Cyber Power Model 850PFCLCD
- PSH2C2RB10-L**
- Operating Temperature: -30 to 140° F
- Humidity Range: 5 to 95% (noncondensing)
- Main Breaker ON/OFF: Switch / Breaker (10 Amp)
- Approvals: UL Listed, UL916, C-UL, CE, RoHS
- Dimensions: 14.000" x 16.000" x 6.000"
Metal Housing with Screw Cover

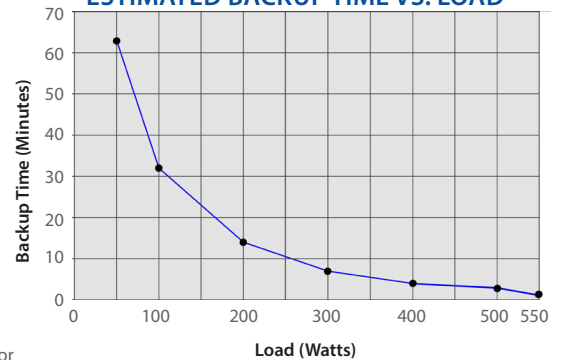
Line Input Status Contacts and UPS

- Output Status Contacts Rated:**
- 10 Amp @ 277 Vac General Use
- 10 Amp @ 30 Vdc (N/O)
- 7 Amp @ 30 Vdc (N/C)
- 1/2 HP @ 125 Vac
- 1/4 HP @ 277 Vac
- 1000 VA @ 120 Vac Magnetic Ballast (N/C)
- C300 Pilot Duty
- 16.8 VA @ 24 Vac Pilot Duty

Notes:

- To order without UPS, so that any other commercial UPS with appropriate ratings and within housing space limitations may be used, see model PSH2C2RB10-L.
- To order interface board for replacement or for separate use, order model PSMN2C2RB10.
- **Typical battery life: 3-6 years, depending on number of discharge/recharge cycles**

ESTIMATED BACKUP TIME VS. LOAD



Input Power Status Contacts and LED Indicator

The input power status contacts and LED indicate the presence of normal power. When normal power is present, the relay is energized, and the LED is on. When normal power is lost, the relay is de-energized, and the LED is off.

UPS Status Contacts and LED Indicator

The UPS status contacts and LED indicate power from the UPS. When normal power is present, the relay is energized, and the LED is on. When normal power is lost, the relay will be energized as long as the UPS can sustain it (until the UPS battery is depleted), and the LED is on.