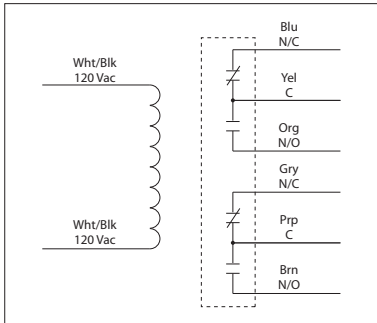


**20 AMP POWER CONTROL RELAY**

**RIB01P**

Enclosed Relay 20 Amp DPDT with 120 Vac Coil



**SPECIFICATIONS**

**# Relays & Contact Type:** One (1) DPDT Continuous Duty Coil  
**Expected Relay Life:** 10 million cycles minimum mechanical  
**Operating Temperature:** -30 to 140° F  
**Humidity Range:** 5 to 95% (noncondensing)  
**Operate Time:** 18ms  
**Relay Status:** LED On = Activated  
**Dimensions:** 4.00" x 4.00" x 1.80" with .50" NPT Nipple  
**Wires:** 16", 600V Rated  
**Approvals:** UL Listed, UL916, UL864, C-UL, California State Fire Marshal, CE, RoHS  
**Housing Rating:** UL Accepted for Use in Plenum, NEMA 1  
**Gold Flash:** Yes  
**Override Switch:** No

**Contact Ratings:**  
 20 Amp Resistive @ 300 Vac  
 20 Amp Resistive @ 28 Vdc  
 20 Amp Ballast @ 277-480 Vac  
*Not rated for Electronic Ballast*  
 15 Amp Resistive @ 600 Vac  
 770 VA Pilot Duty @ 120 Vac  
 1158 VA Pilot Duty @ 240 Vac  
 1109 VA Pilot Duty @ 277 Vac  
 1640 VA Pilot Duty @ 480 Vac  
 Heavy Pilot Duty @ 600 Vac  
 3 HP @ 480-600 Vac  
 2 HP @ 240-277 Vac  
 1 HP @ 120 Vac

**Coil Current:**  
 105 mA @ 120 Vac

**Coil Voltage Input:**  
 120 Vac ; 50-60 Hz  
 Drop Out = 35 Vac  
 Pull In = 85 Vac