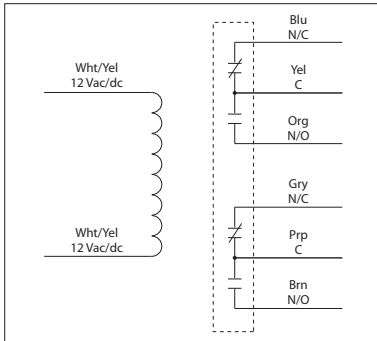


30 AMP POWER CONTROL RELAY

RIB12P30

Enclosed Relay 30 Amp DPDT with 12 Vac/dc Coil



SPECIFICATIONS

Relays & Contact Type: One (1) DPDT Continuous Duty Coil
Expected Relay Life: 10 million cycles minimum mechanical
Operating Temperature: -30 to 140° F
Humidity Range: 5 to 95% (noncondensing)
Operate Time: 18ms
Relay Status: LED On = Activated
Dimensions: 2.30" x 3.20" x 1.80" with .75" NPT Nipple
Wires: 16", 600V Rated
Approvals: UL Listed, UL60947, C-UL, CE, RoHS
Housing Rating: UL Accepted for Use in Plenum, NEMA 1
Gold Flash: Yes
Override Switch: No

Contact Ratings:
 30 Amp Resistive @ 300 Vac
 25 Amp Resistive @ 28 Vdc
 15 Amp Resistive @ 600 Vac
 20 Amp Ballast @ 277-480 Vac
Not rated for Electronic Ballast
 770 VA Pilot Duty @ 120 Vac
 1158 VA Pilot Duty @ 240 Vac
 1110 VA Pilot Duty @ 277 Vac
 1640 VA Pilot Duty @ 480 Vac
 Heavy Pilot Duty @ 600 Vac
 3 HP @ 480-600 Vac
 2 HP @ 240-277 Vac
 1 HP @ 120 Vac

Coil Current:
 115 mA @ 10 Vac
 180 mA @ 12 Vac
 79 mA @ 11 Vdc
 90 mA @ 12 Vdc
 115 mA @ 15 Vdc

Coil Voltage Input:
 12 Vac/dc ; 50-60 Hz
 Drop Out = 4.5 Vac / 4.8 Vdc
 Pull In = 9.7 Vac / 11 Vdc