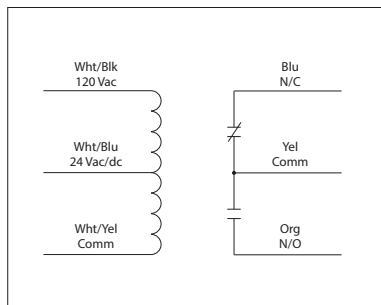


20 AMP POWER CONTROL RELAYS

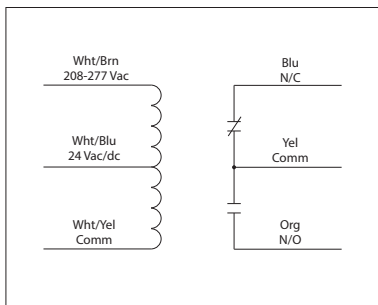
RIB2401B

Enclosed Relay 20 Amp SPDT with 24 Vac/dc/120 Vac Coil



RIB2402B

Enclosed Relay 20 Amp SPDT with 24 Vac/dc/208-277 Vac Coil



Made in USA
Meets "Buy American" of ARRA 2009

RELAYS

SPECIFICATIONS

- # Relays & Contact Type: One (1) SPDT Continuous Duty Coil
- Expected Relay Life: 10 million cycles minimum mechanical
- Operating Temperature: -30 to 140° F
- Humidity Range: 5 to 95% (noncondensing)
- Operate Time: 18ms
- Relay Status: LED On = Activated
- Dimensions: 2.30" x 3.20" x 1.80" with .50" NPT Nipple
- Wires: 16", 600V Rated
- Approvals: UL Listed, UL916, UL864, C-UL California State Fire Marshal
- Housing Rating: UL Accepted for Use in Plenum, NEMA 1
- Gold Flash: No
- Override Switch: No

- Contact Ratings:
- 20 Amp Resistive @ 277 Vac
- 5 Amp Resistive @ 480 Vac
- 20 Amp Ballast @ 277 Vac
- 16 Amp Electronic Ballast @ 277 Vac (N/O)
- 10 Amp Tungsten @ 120 Vac (N/O)
- 770 VA Pilot Duty @ 120 Vac
- 1,110 VA Pilot Duty @ 277 Vac
- 2 HP @ 277 Vac
- 1 HP @ 120 Vac

- Coil Current:
- 50 mA @ 18 Vac 33 mA @ 22 Vdc
- 83 mA @ 24 Vac 35 mA @ 24 Vdc
- 47 mA @ 120 Vac (RIB2401B) 47 mA @ 30 Vdc
- 69 mA @ 208-277 Vac (RIB2402B)

- Coil Voltage Input:
- 24 Vac/dc ; 120 Vac ; 50-60 Hz (RIB2401B)
- 24 Vac/dc ; 208-277 Vac ; 50-60 Hz (RIB2402B)
- Drop Out = 2.1 Vac / 3.8 Vdc
- Pull In = 18 Vac / 22 Vdc