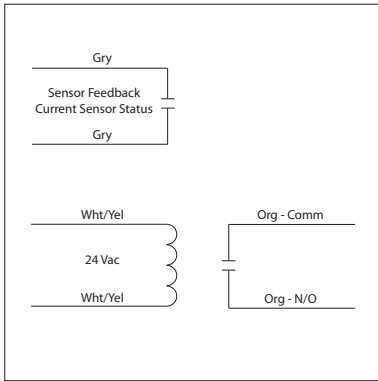


RELAY & AC CURRENT SWITCH COMBO

RIBHX24BF

Enclosed 20 Amp SPST-N/O Relay/AC Sensor Combination, with 24 Vac Coil



CURRENT SENSORS

SPECIFICATIONS

FUNCTIONAL DEVICES CERTIFIED FOR USE WITH ECMs

- Expected Relay Life:** 10 million cycles minimum mechanical
- Operating Temperature:** -30 to 140° F
- Humidity Range:** 5 to 95% (noncondensing)
- Operate Time:** 20ms
- Relay Status:** Red LED On = Activated
- Current Sensor Status:** Pink LED On = Current Over Trip Point (0.25 Amp)
- Dimensions:** 1.70" x 2.80" x 1.50" with .50" NPT nipple
- Wire Length:** 16", 600V Rated
- Approvals:** UL Listed, UL916, C-UL
- Housing Rating:** UL Accepted for Use in Plenum, NEMA 1
- Gold Flash:** No
- Sensor Type:** Internal, with contact status
- Sensor Threshold:** Fixed, .25 Amp
- Sensor Range:** .25-20 Amps
- Sensor Feedback Output:** Solid State Contact 30 Vac/dc, 100 mA

- Contact Ratings:**
 - 20 Amp Resistive @ 277 Vac
 - 20 Amp Ballast @ 277 Vac
 - 16 Amp Electronic Ballast @ 277 Vac (N/O)
 - 10 Amp Tungsten @ 120 Vac (N/O)
 - 1,110 VA Pilot Duty @ 277 Vac
 - 770 VA Pilot Duty @ 120 Vac
 - 2 HP @ 277 Vac
 - 1 HP @ 120 Vac
- Coil Current:**
 - 128 mA @ 24 Vac
 - 71 mA @ 30 Vdc
- Coil Voltage Input:**
 - 24 Vac ; 50-60 Hz
 - Drop Out = 3 Vac
 - Pull In = 18 Vac

- Sensor Contact:**
 - When current sensor status is off (open), leakage <30 uA @ 30Vac/dc
 - When current sensor status is on (closed), voltage drop < .3 Vac/dc @ .1 Amp
 - < 1.6 Vac/dc @ .4 Amp