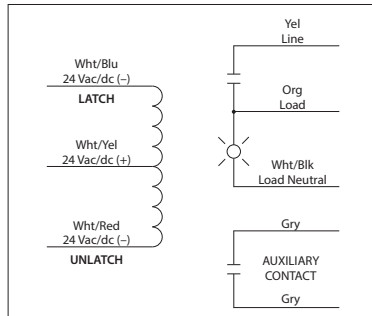


**LATCHING RELAY**

**RIBL24BM**

Enclosed Mechanically Latching Relay 20 Amp  
 SPST with 24 Vac/dc Coil, Status LED and  
 Auxiliary Output



**SPECIFICATIONS**

**# Relays & Contact Type:** One (1) SPST Latching Relay Dual Coil  
**Expected Relay Life:** 1 million cycles minimum mechanical  
**Operating Temperature:** -30 to 140° F  
**Humidity Range:** 5 to 95% (noncondensing)  
**Operate Time:** 50ms  
**Maximum Pulse Length:** 30 seconds  
**Relay Status / Auxiliary**  
**Contact Closed:** LED On = Voltage Detected on Load Wire  
**Dimensions:** 2.30" x 3.20" x 1.80" with .50" NPT Nipple  
**Wires:** 16", 600V Rated  
**Approvals:** UL Listed, UL60947, C-UL, CE, RoHS  
**Housing Rating:** UL Accepted for Use in Plenum, NEMA 1  
**Gold Flash:** No

**Contact Ratings:**  
 20 Amp Resistive @ 120-277 Vac  
 20 Amp Ballast @ 120-277 Vac  
 16 Amp Electronic Ballast @ 120-277 Vac  
 5540 Watt Tungsten @ 277 Vac  
 720 VA Pilot Duty @ 120-277 Vac  
 2 HP @ 277 Vac  
 3 HP @ 240 Vac  
 1.5 HP @ 120 Vac

**Coil Current:**  
 175 mA @ 20 Vac  
 210 mA @ 24 Vac  
 92 mA @ 20 Vdc  
 110 mA @ 24 Vdc  
 138 mA @ 30 Vdc

**Latch / Unlatch:**  
 Min. 20 Vdc / 22 Vac

**Auxiliary Contact:**  
 3 Amp @ 30 Vac/dc max.

- Notes:**
- Application of voltage on latch coil (Wht/Blu & Wht/Yel) will close the contact.
  - Application of voltage on unlatch coil (Wht/Red & Wht/Yel) will open the contact.
  - Auxiliary contact and status LED activate when 120-277 Vac is applied between Load (Org) wire and Load Neutral (Wht/Blk) wire.
  - Voltage should not be applied to the coil for more than 30 seconds.