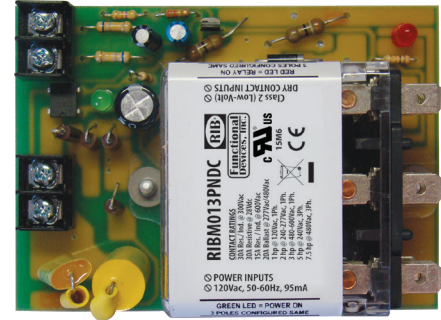
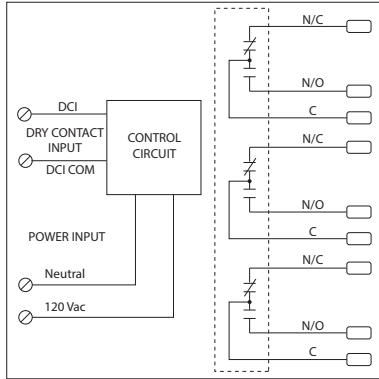


**DRY CONTACT INPUT TRACK MOUNT RELAY**

**RIBM013PNDC**

4.00" Track Mount Relay 30 Amp 3PDT, Class 2  
Dry Contact Input, 120 Vac Power Input



**SPECIFICATIONS**

**# Relays & Contact Type:** One (1) 3PDT Continuous Duty Coil  
**Expected Relay Life:** 10 million cycles minimum mechanical  
**Operating Temperature:** -30 to 140° F  
**Humidity Range:** 5 to 95% (noncondensing)  
**Operate Time:** 20ms  
**Relay Status:** Red LED On = Activated  
**Power Status:** Green LED On = Activated  
**Dimensions:** 2.875" x 4.000" x 1.750"  
**Track Mount:** 4.000"  
**Approvals:** UL Component Recognized, UL916 C-UL, CE, RoHS  
**Gold Flash:** No  
**Override Switch:** No

**Contact Ratings:**  
 30 Amp Resistive @ 300 Vac Heavy Pilot Duty  
 30 Amp Resistive @ 28 Vdc 770 VA @ 120 Vac, 1 Phase  
 15 Amp Resistive @ 600 Vac 1158 VA @ 240 Vac, 1 Phase  
 7.5 HP @ 480 Vac, 3 Phase 1109 VA @ 277 Vac, 1 Phase  
 5 HP @ 240 Vac, 3 Phase 1640 VA @ 480 Vac, 1 Phase  
 3 HP @ 480-600 Vac, 1 Phase 1466 VA @ 240 Vac, 3 Phase  
 2 HP @ 240/277 Vac, 1 Phase 2122 VA @ 480 Vac, 3 Phase  
 1 HP @ 120 Vac, 1Phase  
 20 Amp Ballast @ 277-480 Vac  
*Not rated for Electronic Ballast*

**Power Input:**  
 95 mA @ 120 Vac

**Notes:**

- Dry Contact Input Operation:** Close dry contact to activate relay.
- If more than one dry contact input RIB shares a single dry contact input, DCI COM must be common.