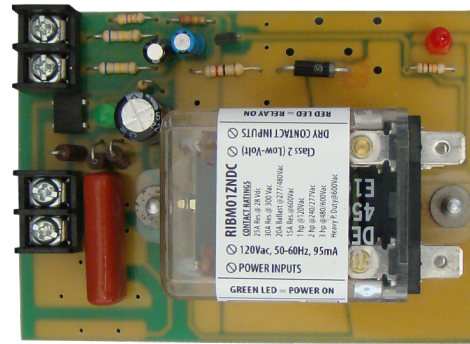
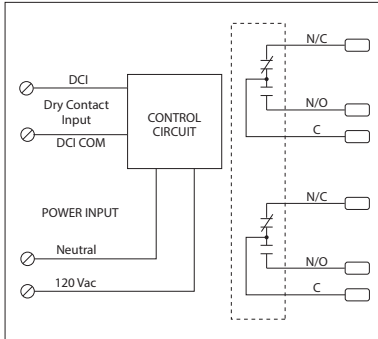


DRY CONTACT INPUT TRACK MOUNT RELAY

RIBM01ZND

4.00" Track Mount Relay 30 Amp DPDT, Class 2
 Dry Contact Input, 120 Vac Power Input



SPECIFICATIONS

- # Relays & Contact Type:** One (1) DPDT Continuous Duty Coil
- Expected Relay Life:** 10 million cycles minimum mechanical
- Operating Temperature:** -30 to 140° F
- Humidity Range:** 5 to 95% (noncondensing)
- Operate Time:** 18ms
- Relay Status:** Red LED On = Activated
- Power Status:** Green LED On = Activated
- Dimensions:** 2.875" x 4.000" x 1.750"
- Track Mount:** 4.000"
- Approvals:** UL Component Recognized, UL916 C-UL, CE, RoHS
- Gold Flash:** Yes
- Override Switch:** No

MT4 Mounting Track Sold Separately

- Contact Ratings:**
- 30 Amp Resistive @ 300 Vac 770 VA @ 120 Vac
- 25 Amp Resistive @ 28 Vdc 1158 VA @ 240 Vac
- 15 Amp Resistive @ 600 Vac 1109 VA @ 277 Vac
- 3 HP @ 480-600 Vac 1640 VA @ 480 Vac
- 2 HP @ 240/277 Vac NEMA B600 Pilot Duty
- 1 HP @ 120 Vac
- 20 Amp Ballast @ 277-480 Vac
- Not rated for Electronic Ballast*

- Power Input:**
- 95 mA @ 120 Vac

- Notes:**
- Dry Contact Input Operation:
 Close dry contact to activate relay.
- If more than one dry contact input, RIB shares a single dry contact input, DCI COM must be common.