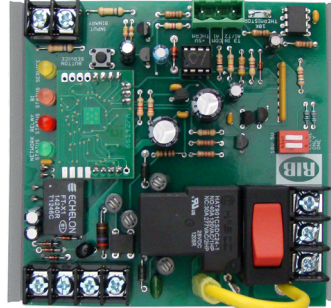
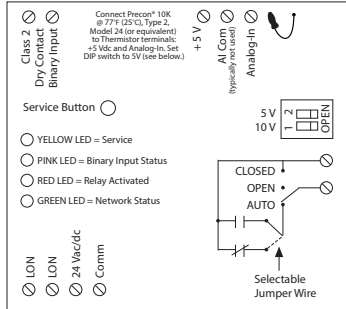


NETWORK COMPATIBLE RELAYS

RIBMW24SB-LNT2

4.00" Track Mount LonWorks® Twisted-Pair FT-10 Network Three I/O Device; One Binary Output (20 Amp Relay SPST + Override), One Binary Input (Dry Contact, Class 2); Precon® Type 2 Thermistor Input; 24 Vac/dc Power Input



THERMISTOR INPUT

SPECIFICATIONS

- # Relays & Contact Type:** One (1) SPST Continuous Duty Coil
- Expected Relay Life:** 10 million cycles minimum mechanical
- Operating Temperature:** -30 to 140° F
- Humidity Range:** 5 to 95% (noncondensing)
- Operate Time:** 18ms
- Green LED:** Network Status
- Red LED:** Relay Status
- Yellow LED:** Service Status
- Pink LED:** Binary Input Status
- Dimensions:** 4.00" x 4.00" x 1.50"
- Track Mount:** MT4-4 Mounting Track Provided
- Approvals:** FCC, LonMark®, CE, RoHS, UL Listed, UL916, C-UL
- Gold Flash:** No
- Override Switch:** Yes

- Channel:** TP/FT-10
- Transceiver Type:** FT5000 Smart Transceiver
- Transceiver Compatibility:** FT3120 / FT3150, FTT-10 / FTT-10A, and LPT-10 / LPT-11 Transceivers
- Functional Blocks:** 0000 Node Object, 0004 Closed Loop Actuator Object, 0001 Open Loop Sensor Object, 1040 Temperature Sensor
- Downloadable Files:** PDF, XIF, APB, VSS and NXE available on website.

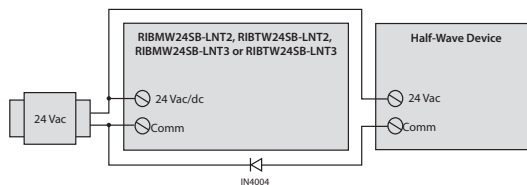
- Contact Ratings:** 20 Amp Resistive @ 277 Vac, 20 Amp Ballast @ 120/277 Vac (N/O), 10 Amp Ballast @ 120/277 Vac (N/C), Not rated for Electronic Ballast, 10 Amp Tungsten @ 120 Vac (N/O), 1110 VA Pilot Duty @ 277 Vac, 770 VA Pilot Duty @ 120 Vac, 2 HP @ 277 Vac, 1 HP @ 120 Vac

- Power Input Ratings:** 111 mA @ 24 Vac, 81 mA @ 24 Vdc

- Power Input:** 24 Vac/dc ; 50/60 Hz

- Notes:**
- Order with P1 option by adding "-P1" to end of model number. The P1 option is pre-programmed to allow dry contact binary input to command the relay. Contact closure on the BI will activate relay.
 - Normally Open or Normally Closed selected by yellow jumper wire.
 - 35 to 100°C range in one degree steps. -36°C indicates below range, 101°C indicates above range.
 - When connecting 24 Vac to both the RIB(s) and a half-wave device, damage to device can occur. Option 1: Use separate transformers for each device. Option 2: Add diode between devices, see Option 2 note below. ^^
 - Can be used with Precon® Type 3 Thermistor Input. Use suffix "-LNT3" instead of "LNT2" when ordering. Thermistor not included.

DESCRIPTION	SNVT NAME	SNVT TYPE
Command to open/close relay	nvi Value	SNVT_switch
Command status of relay	nvo Value Fb	SNVT_switch
Default state of relay on/off	nci Default	SNVT_switch
Communication timer	nci Max Receive T	SNVT_elapsed_tm
Status of Digital-In	nvo Value	SNVT_switch
Invert status of Digital-In	nci Invert	SNVT_lev_disc
Max time between updates	nci Max Send T	SNVT_elapsed_tm
Min time between updates	nci Min Send T	SNVT_elapsed_tm
T2 Thermistor input *	nvo HVACTemp	SNVT_temp_p
Max time between Temperature updates	nci Max Send T1	SNVT_elapsed_tm
Min time between Temperature updates	nci Min Send T1	SNVT_elapsed_tm
Min change in Temperature before updates	nci Min Delta	SNVT_temp_p



^^ Option 2: Add diode on 24 Vac power (Comm) interconnection between devices. Band on diode faces towards RIB(s).

