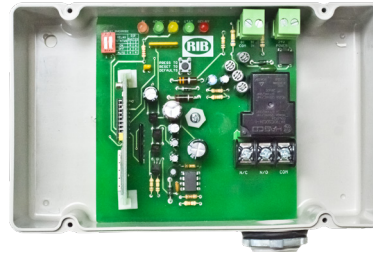
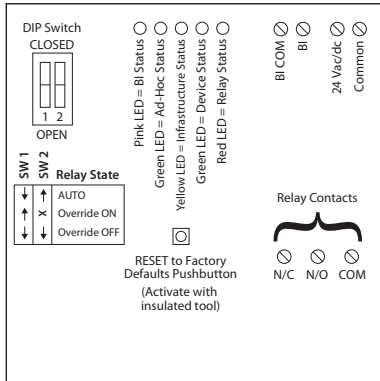


NETWORK COMPATIBLE RELAY

RIBTW24B-WI-N4

Enclosed Wifi IEEE 802.11 b/g Network
 Enclosed I/O Device: One Discrete Output
 (20 Amp Relay SPDT + Override), One
 Discrete Input (Dry Contact, Class 2); 24 Vac/dc



Shown With Cover

Code Version 4.0.3



Made in USA
 Meets
 "Buy American"
 of ARRA 2009



SPECIFICATIONS

Relays & Contact Type: One (1) SPDT Continuous Duty Coil
Expected Relay Life: 10 million cycles minimum mechanical
Operating Temperature: -30 to 140° F
Operate Time: 18ms
Pink LED: Digital Input Status
Green LED: Wifi Ad-Hoc Status
Yellow LED: Wifi Infrastructure Status
Green LED: Device Status
Red LED: Relay Status
Dimensions: 4.28" x 7.00" x 2.00" with .75" NPT Nipple
Approvals: UL Listed, UL916, C-UL
 FCC, CE, RoHS, Wifi Certified ASD Device
Housing Rating: UL Accepted for Use in Plenum, NEMA 4
Gold Flash: No
Relay Override Switch: DIP Switch Control
Wifi: IEEE 802.11 b/g
 54 Mbps Data Rate
 -95 dBm Min. Sensitivity
 +16 dBm Max Output Power
 Currently Unsecured Connection in Ad-Hoc
 (WPA-PSK or WPA-2-PSK Available)
 Supports PING and ARP
 DSSS Modulation

Contact Ratings:
 20 Amp Resistive @ 277 Vac
 20 Amp Ballast @ 277 Vac
 16 Amp Electronic Ballast @ 277 Vac (N/O)
 1100 VA Pilot Duty @ 277 Vac
 770 VA Pilot Duty @ 120 Vac
 10 Amp Tungsten @ 120 Vac (N/O)
 2 HP @ 277 Vac
 1 HP @ 120 Vac

Power Input Ratings:
 200 mA Max @ 24 Vac
 200 mA Max @ 24 Vdc

Available TCP/IP Settings:
 • IP Address (Static)
 • Port Number
 • Subnet Mask
 • Gateway Address
 • Ad-Hoc mode
 • Infrastructure mode
 • Scan for wireless networks

Device Settings:
 • Local Override
 • Reset to Network Defaults Pushbutton

Power Tolerances:
 24 Vac = Terminal Strip (20 Vac min. ; 28 Vac max.)
 24 Vdc = Terminal Strip (24 Vdc min. ; 28 Vdc max.)

Device Settings by Network:
 • Power up default relay state
 • Host name and location labels
 • Relay bound to digital input

• Setup instructions available on website.

http://www.functionaldevices.com/pdf/bulletins/B1802_393224.pdf



Or scan QR code with your smart phone.