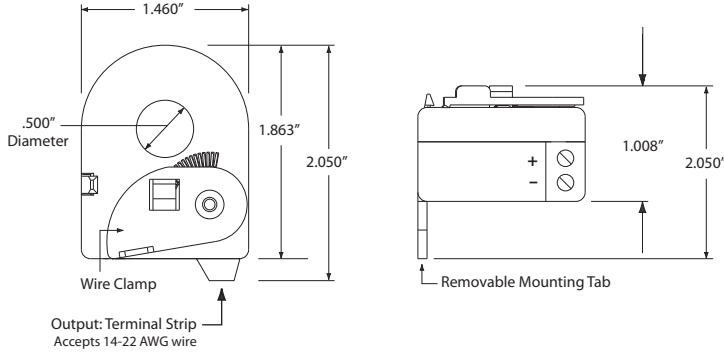


AC TRANSDUCERS

RIBXKTV Series

Enclosed Self-Powered Solid Core Current to DC Transducers



SPECIFICATIONS

- Operating Temperature:** -30 to 140° F
- Humidity Range:** 5 to 95% (noncondensing)
- Accuracy:** 96.8% Full Scale
- Loading:**
 - RIBXKTV5-10, 1% Error @ 180 kΩ
 - RIBXKTV5-20, 1% Error @ 90 kΩ
 - RIBXKTV5-50, 1% Error @ 40 kΩ
 - RIBXKTV5-100, 1% Error @ 15 kΩ
- Max Sense Voltage:** 600 Vac
- Approvals:** UL Listed, UL916, UL864, California State Fire Marshal, C-UL, CE, RoHS
- Mounting/Installation:** Removable mounting tab provided. The wire clamp locks against the wire being monitored, securing the unit in place.
- Sensor Type:** Solid core with voltage output

RIBXKTV SERIES SELECTION GUIDE

Model#	Sensing Range	Sensor Output
RIBXKTV5-10	0-10 Amp	0-5 Vdc (Terminal Strip, Accepts #14-22 AWG Wire)
RIBXKTV5-20	0-20 Amp	0-5 Vdc (Terminal Strip, Accepts #14-22 AWG Wire)
RIBXKTV5-50	0-50 Amp	0-5 Vdc (Terminal Strip, Accepts #14-22 AWG Wire)
RIBXKTV5-100	0-100 Amp	0-5 Vdc (Terminal Strip, Accepts #14-22 AWG Wire)