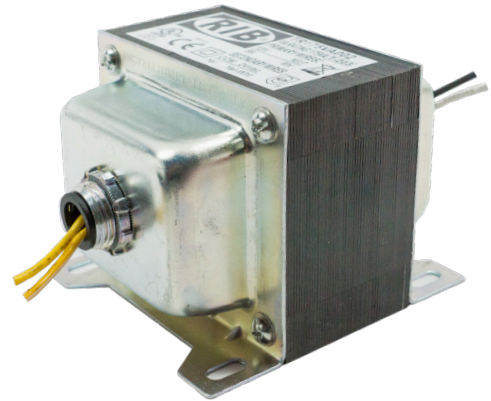
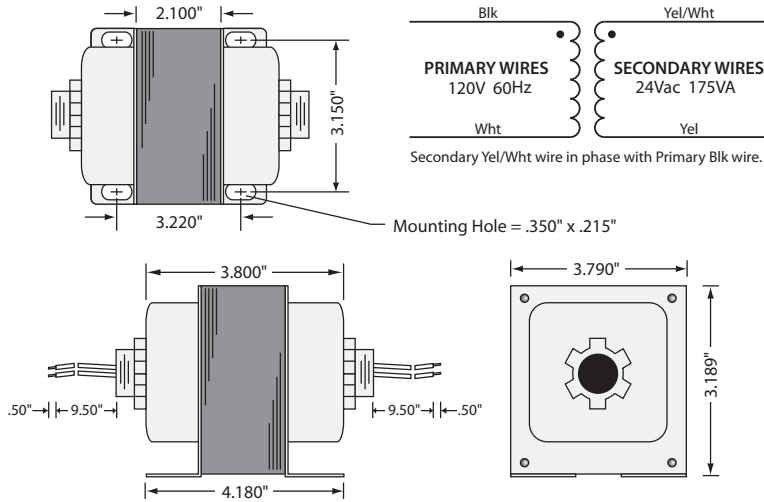


**TRANSFORMER**

**TR175VA002**

Transformer 175 VA, 120 to 24 Vac, Foot and Dual Threaded Hub Mount



**SPECIFICATIONS**

- VA Rating:** 175
- Frequency:** 50/60 Hz
- Mounting:** Foot & Dual Threaded Hubs
- Over Current Protection:** None
- Dimensions:** 3.800" x 3.790" x 3.189" (w/ .500" NPT Hubs)
- Wire Length:** 9.5" Typical w/ .5" Strip
- Operating Temperature:** -30 to 140° F
- MTBF:** 100,000 Hours @ 77° F
- Construction:** Split-Bobbin
- Approvals:** UL5085-2 Listed General Purpose, C-UL, CE, RoHS