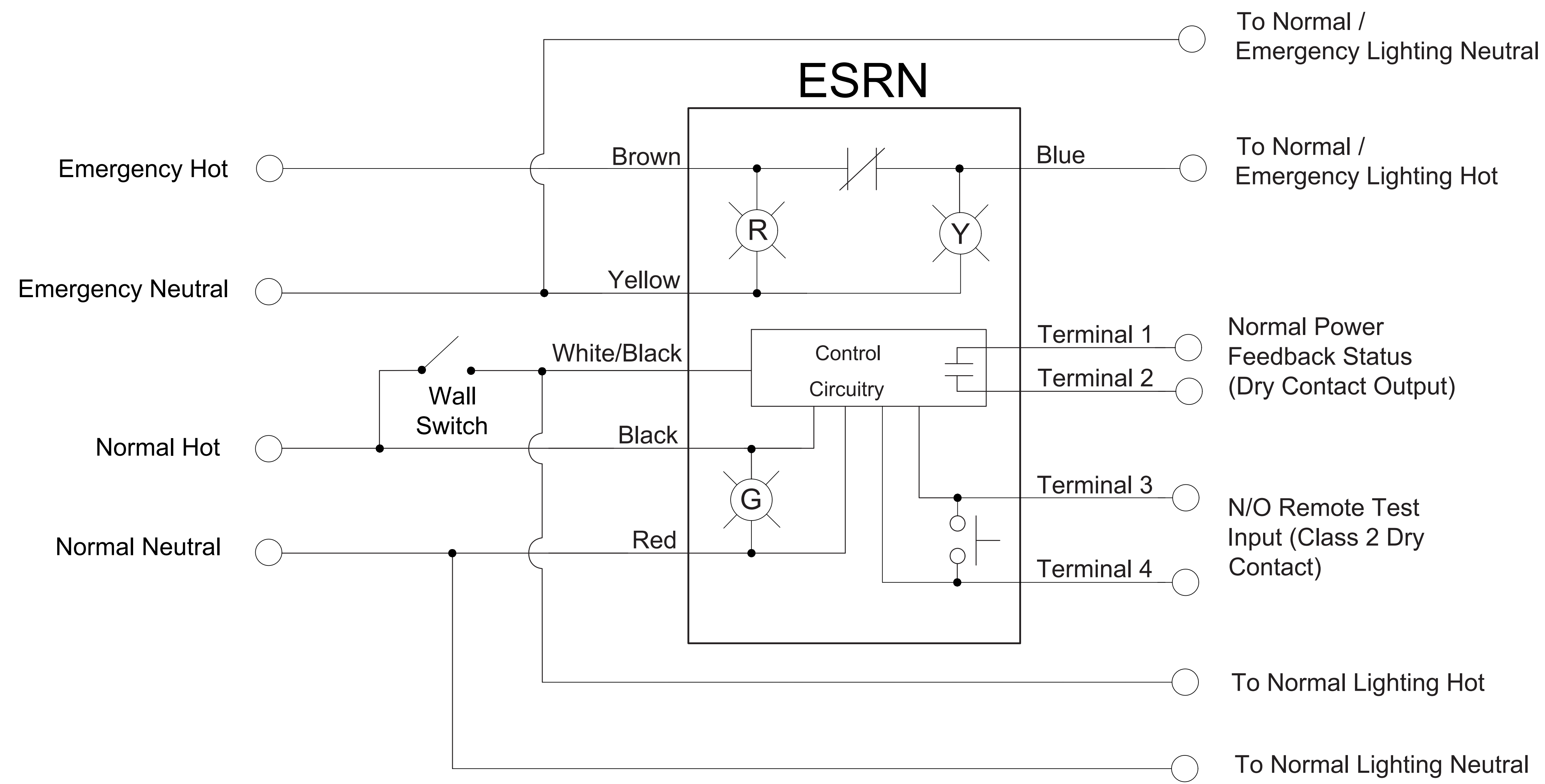


REVISIONS				
ZONE	REV	DESCRIPTION	DATE	APPROVED



Functional Devices Inc. 101 Commerce Drive Sharpville, IN 46068 Phone: 1-800-888-5538 Fax: 1-765-883-7505	UL924 Bypass/Shunt Application	
	ESRN	
C.L.B. April 5, 2017	DWG NO. 9068-0300	REV

FINAME
REVDATE
USER