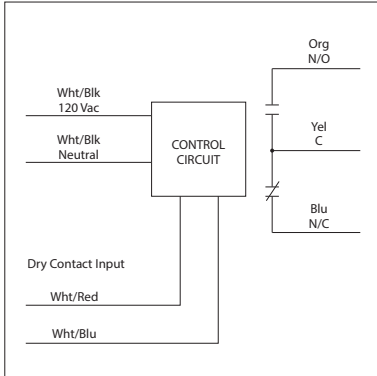


**DRY CONTACT INPUT TIME DELAY RELAY**

**RIBD01BDC**

Enclosed Delay Relay 20 Amp  
 SPDT, Class 2 Dry Contact Input, 120 Vac  
 Power Input



**SPECIFICATIONS**

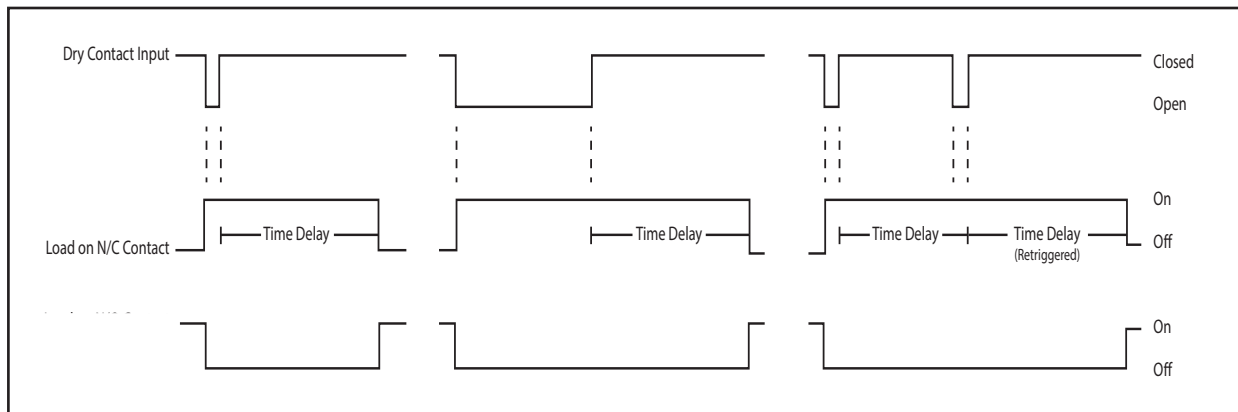
- # Relays & Contact Type: One (1) SPDT Continuous Duty Coil
- Expected Relay Life: 10 million cycles minimum mechanical
- Operating Temperature: -30 to 140° F
- Humidity Range: 5 to 95% (noncondensing)
- Operate Time: 18ms after time delay
- Relay Status: Red LED On = Activated
- Time Delay Status: Pink LED FLASHING = Timing
- Timing Mode: Selectable: Delay On Make, Delay On Break, or Delay On Make and Break
- Timing Range: 1-30 Seconds or 1-30 Minutes
- Timing Adjustment: 3 pin header w/jumper for sec/min and single turn potentiometer for timing adjustment within range
- Dimensions: 4.00" x 4.00" x 1.80" with .50" NPT nipple
- Wires: 16", 600V Rated
- Approvals: UL Listed, UL916, C-UL, CE, RoHS
- Housing Rating: UL Accepted for Use in Plenum, NEMA 1
- Gold Flash: No
- Override Switch: No

- Contact Ratings:
  - 20 Amp Resistive @ 277 Vac
  - 20 Amp Ballast @ 277 Vac
  - 16 Amp Electronic Ballast @ 277 Vac (N/O)
  - 10 Amp Tungsten @ 120 Vac (N/O)
  - 770 VA Pilot Duty @ 120 Vac
  - 1,110 VA Pilot Duty @ 277 Vac
  - 2 HP @ 277 Vac
  - 1 HP @ 120 Vac

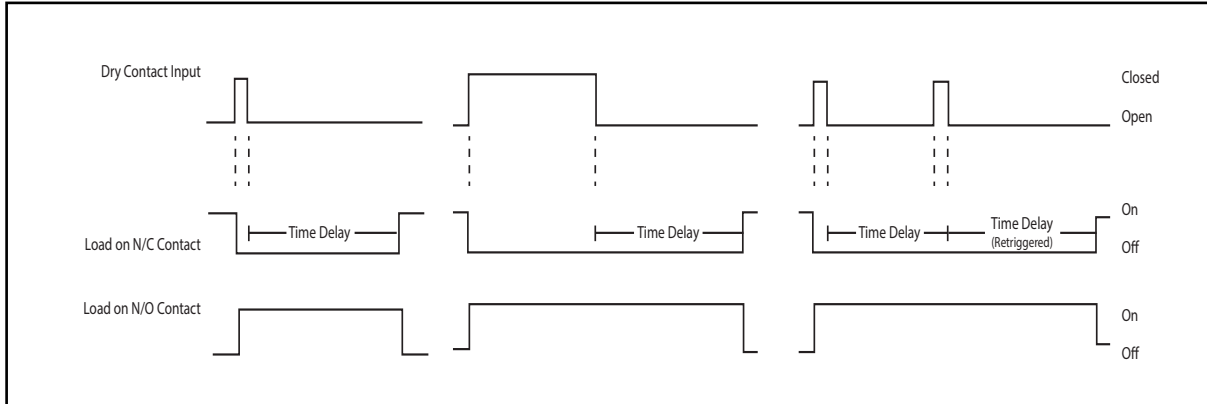
- Power Input:
  - 66 mA @ 120 Vac

- Notes:**
- **Dry Contact Input Operation:**  
 Mode A&C: Close White/Red wire to White/Blue wire to start timing. Relay will activate after timing sequence has ended.
  - **Mode B&C:** Open White/Red and White/Blue wires to start timing. Relay will deenergize after timing sequence has ended.
  - If more than one dry contact RIB® shares a single dry contact input, White/Blue must be common.
  - Changing min/sec or mode while unit is running will reset the unit (de-energize the relay and turn off the timer). Once the dry-contact input is opened the unit will function as normal again
  - If the unit is powered up with the dry-contact input closed, the unit will begin timing (MODE A and MODE C) or energize the relay (MODE B).

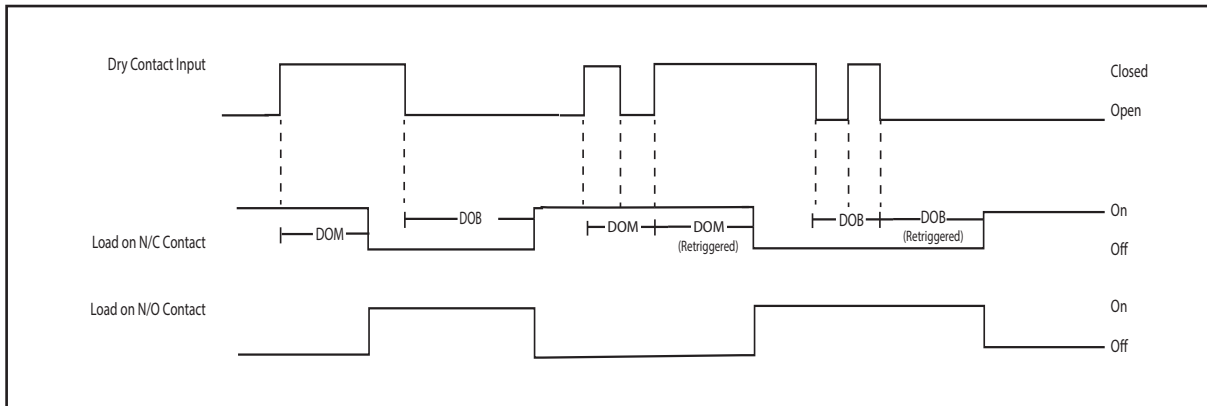
**Mode A: Delay On Make**



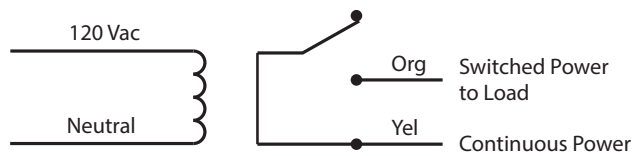
**Mode B: Delay On Break**



**Mode C: Delay On Make and Delay On Break**



**Wiring for Load on N/O Contact**



**Wiring for Load on N/C Contact**

