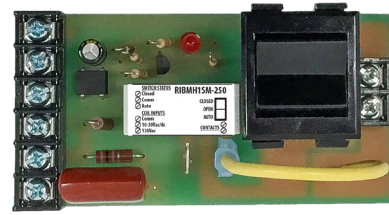
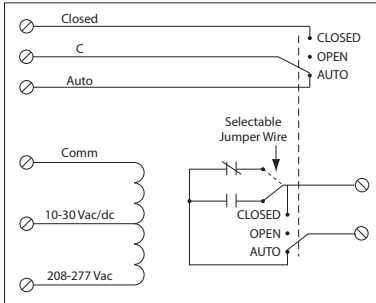


15 AMP TRACK MOUNT CONTROL RELAY

RIBMH1SM-250

4.00" Track Mount Relay 15 Amp SPST +
Override + Monitor with 10-30 Vac/dc/
208-277 Vac Coil



SPECIFICATIONS

Relays & Contact Type: One (1) SPST Continuous Duty Coil
Expected Relay Life: 10 million cycles minimum mechanical
Operating Temperature: -30 to 140° F
Humidity Range: 5 to 95% (noncondensing)
Operate Time: 20ms
Relay Status: LED On = Activated
Dimensions: 2.000" x 4.000" x 1.750"
Track Mount: 4.000"
MT4 Mounting Track Sold Separately
Approvals: UL Listed, UL916, UL864, C-UL
 California State Fire Marshal, CE, RoHS
Gold Flash: Yes
Override Switch: Yes + Monitor

Contact Ratings:
 15 Amp Resistive @ 125 Vac
 10 Amp Resistive @ 250 Vac
 345 VA Pilot Duty @ 120/240 Vac (N/O)
 211 VA Pilot Duty @ 120/240 Vac (N/C)
 1/3 HP for N/O @ 120-240 Vac
 1/6 HP for N/C @ 120-240 Vac

Coil Voltage Input:
 10-30 Vac/dc ; 208-277 Vac ; 50-60 Hz
 Drop Out = 2.1 Vac / 2.8 Vdc
 Pull In = 9 Vac / 10 Vdc

Coil Current:

| | |
|---------------------|----------------|
| 33 mA @ 10 Vac | 13 mA @ 10 Vdc |
| 35 mA @ 12 Vac | 15 mA @ 12 Vdc |
| 46 mA @ 24 Vac | 18 mA @ 24 Vdc |
| 55 mA @ 30 Vac | 20 mA @ 30 Vdc |
| 39 mA @ 208-277 Vac | |

Notes:

- Normally Open or Normally Closed selected by yellow jumper wire
- Second pole of override switch can be connected to digital-in of controller to report position of override switch
- Rating of second pole is 50 Vac/dc, 0.25 Amp max