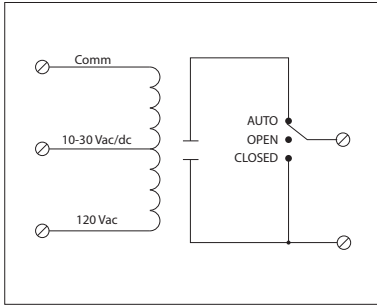


15 AMP TRACK MOUNT CONTROL RELAY

RIBMU1S

4.00" Track Mount Relay 15 Amp SPST-N/O +
Override with 10-30 Vac/dc/120 Vac Coil



SPECIFICATIONS

Relays & Contact Type: One (1) SPST Continuous Duty Coil
Expected Relay Life: 10 million cycles minimum mechanical
Operating Temperature: -30 to 140° F
Humidity Range: 5 to 95% (noncondensing)
Operate Time: 20ms
Relay Status: LED On = Activated
Dimensions: 1.275" x 4.000" x 1.750"
Track Mount: 4.000"
Approvals: UL Listed, UL916, UL864, C-UL
 California State Fire Marshal, CE, RoHS
Gold Flash: Yes
Override Switch: Yes

Contact Ratings:
 15 Amp Resistive @ 150 Vac
 10 Amp Resistive @ 277 Vac
 480 VA Pilot Duty @ 277 Vac
 480 VA Ballast @ 277 Vac
Not rated for Electronic Ballast
 600 Watt Tungsten @ 120 Vac (N/O)
 240 Watt Tungsten @ 120 Vac (N/C)
 1/3 HP @ 120-240 Vac (N/O)
 1/6 HP @ 120-240 Vac (N/C)
 1/4 HP @ 277 Vac (N/O)
 1/8 HP @ 277 Vac (N/C)

Coil Voltage Input:
 10-30 Vac/dc ; 120 Vac ; 50-60 Hz
 Drop Out = 2.1 Vac / 2.8 Vdc
 Pull In = 9 Vac / 10 Vdc

Coil Current:

33 mA @ 10 Vac	13 mA @ 10Vdc
35 mA @ 12 Vac	15 mA @ 12Vdc
46 mA @ 24 Vac	18 mA @ 24Vdc
55 mA @ 30 Vac	20 mA @ 30Vdc
28 mA @ 120 Vac	

Notes:
 • Order Normally Closed by adding "NC" to end of model number