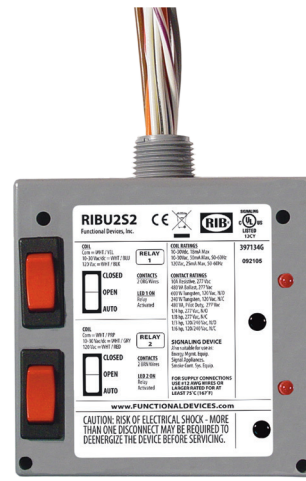
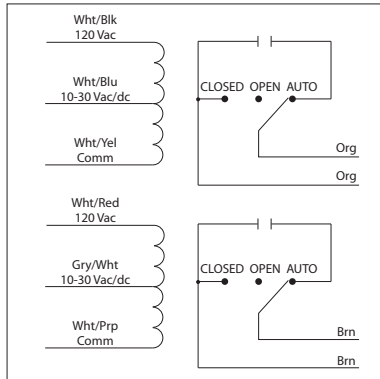


10 AMP PILOT CONTROL RELAY

RIBU2S2

Enclosed Relays 10 Amp 2 SPST-N/O + 2 Overrides with 10-30 Vac/dc/120 Vac Coil



SPECIFICATIONS

Relays & Contact Type: Two (2) SPST Continuous Duty Coil
Expected Relay Life: 10 million cycles minimum mechanical
Operating Temperature: -30 to 140° F
Humidity Range: 5 to 95% (noncondensing)
Operate Time: 20ms
Relay Status: LED On = Activated
Dimensions: 4.00" x 4.00" x 1.80" with .50" NPT nipple
Wires: 16", 600V Rated
Approvals: UL Listed, UL916, UL864, C-UL California State Fire Marshal, CE, RoHS
Housing Rating: UL Accepted for Use in Plenum, NEMA 1
Gold Flash: Yes
Override Switch: Yes (2)

Contact Ratings:
 10 Amp Resistive @ 277 Vac
 480 VA Pilot Duty @ 277 Vac
 480 VA Ballast @ 277 Vac
Not rated for Electronic Ballast
 600 Watt Tungsten @ 120 Vac (N/O)
 240 Watt Tungsten @ 120 Vac (N/C)
 1/3 HP @ 120-240 Vac (N/O)
 1/6 HP @ 120-240 Vac (N/C)
 1/4 HP @ 277 Vac (N/O)
 1/8 HP @ 277 Vac (N/C)

Coil Current:
 33 mA @ 10 Vac
 35 mA @ 12 Vac
 46 mA @ 24 Vac
 55 mA @ 30 Vac
 28 mA @ 120 Vac
 13 mA @ 10 Vdc
 15 mA @ 12 Vdc
 18 mA @ 24 Vdc
 20 mA @ 30 Vdc

Coil Voltage Input:
 10-30 Vac/dc; 120 Vac; 50-60 Hz
 Drop Out = 2.1 Vac / 2.8 Vdc
 Pull In = 9 Vac / 10 Vdc

Notes:
 • Order Normally Closed by adding "NC" to end of model number